

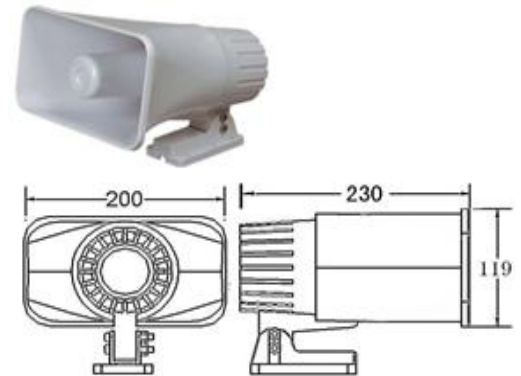
CY-SIR-03

SIRENA 2 TONOS 30W APTO EXTERIOR

Parameter

Operating voltage	12VDC, 24VDC, 110-220VAC
Alarm current	≤ 1,000 mA
Alarm sound level	≥ 120dB
Sound standard	2 tones are optional
Impedance	6 Ohm
Voice coil diameter	Φ34.4mm
Power	30W
Ambient temperature	-10°C ~ +85°C
Ambient humidity	≤ 95%RH
Dimension	230*200*119mm
Net weight	765g

Overview



Installation & Wiring

Equipped with a bass resonating disk to ensure a clear voice during meetings, teaching, sales, and outdoor activities.

The screw rotates the bracket, and the angle of the speaker can be freely adjusted according to the installation environment.



Red: +12V DC Alarm Sound
Yellow: +12V DC Alarm Sound
White: -12V DC COM

Installation guide

For details about the system, see the host installation manual. If the alarm device will be installed in the existing operating system, inform the operator to temporarily take the system out of service. Do not connect the power supply from the control panel before installation.

Note: This manual should be left with the owner/user of the device.

General description

A speaker is a kind of alarm device installed in the field, which can be triggered by the alarm control panel of the control center or the manual call button installed in the field.

After starting, there will be a strong alarm number to warn the scene personnel.

Installation

Note: All wiring must comply with applicable local codes, ordinances and regulations.

Design and wiring

The system design must ensure that the total current drawn by the devices on the circuit does not exceed the current capacity of the panel power supply and that the last device on the circuit operates within its rated voltage.

When calculating the voltage available for the last device, it is necessary to consider the voltage drop due to the resistance of the wire. Wire resistance meters can be obtained from electronic manuals.

Application scenes

1. Outdoor, public places need high power alarm places
2. Special vehicles, large equipment, ships have the possibility of dangerous equipment
3. Police, troops, fire and other important protection units
4. The occasion required by the client