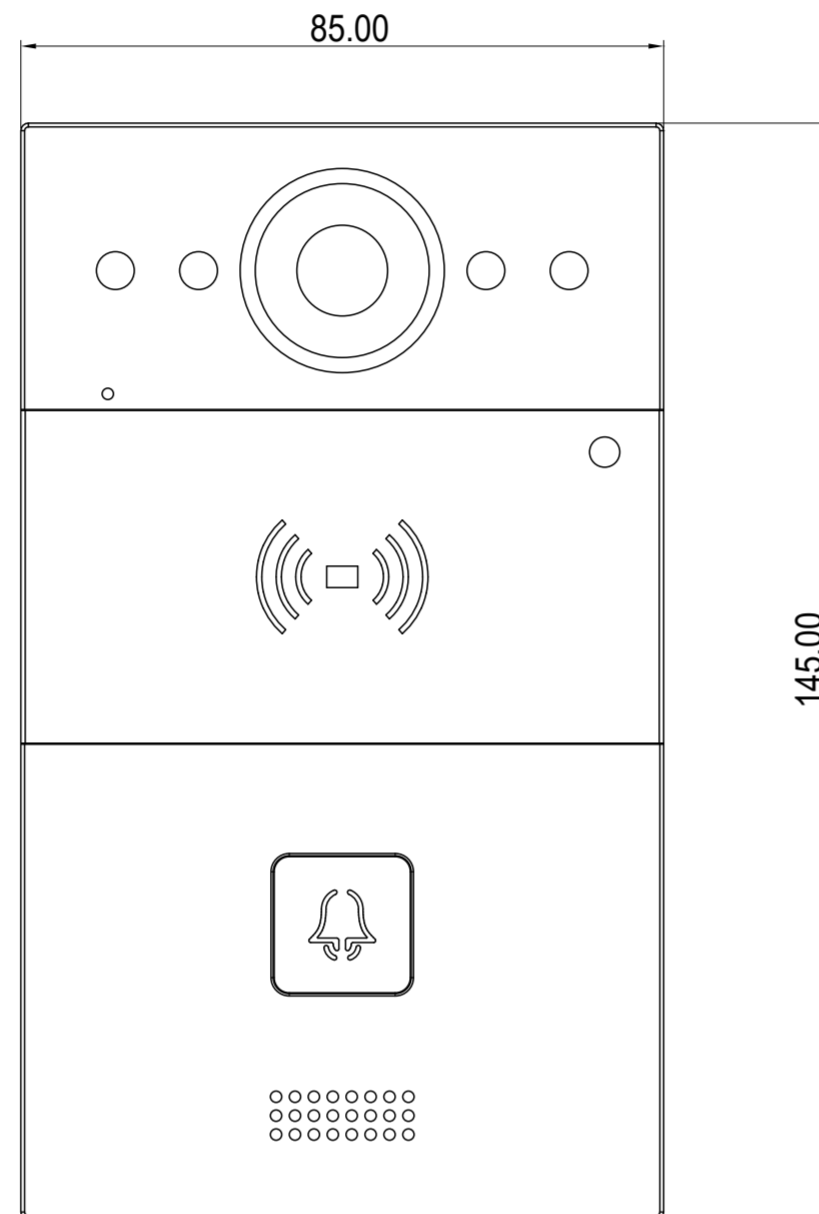
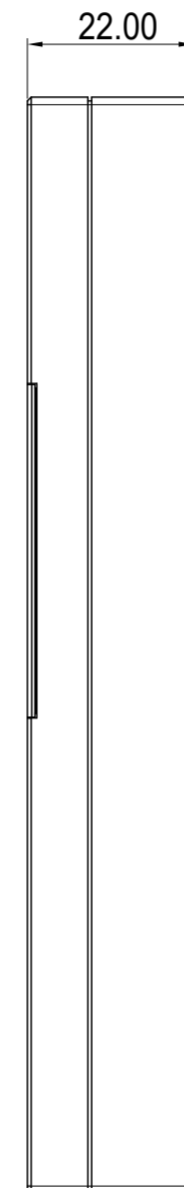




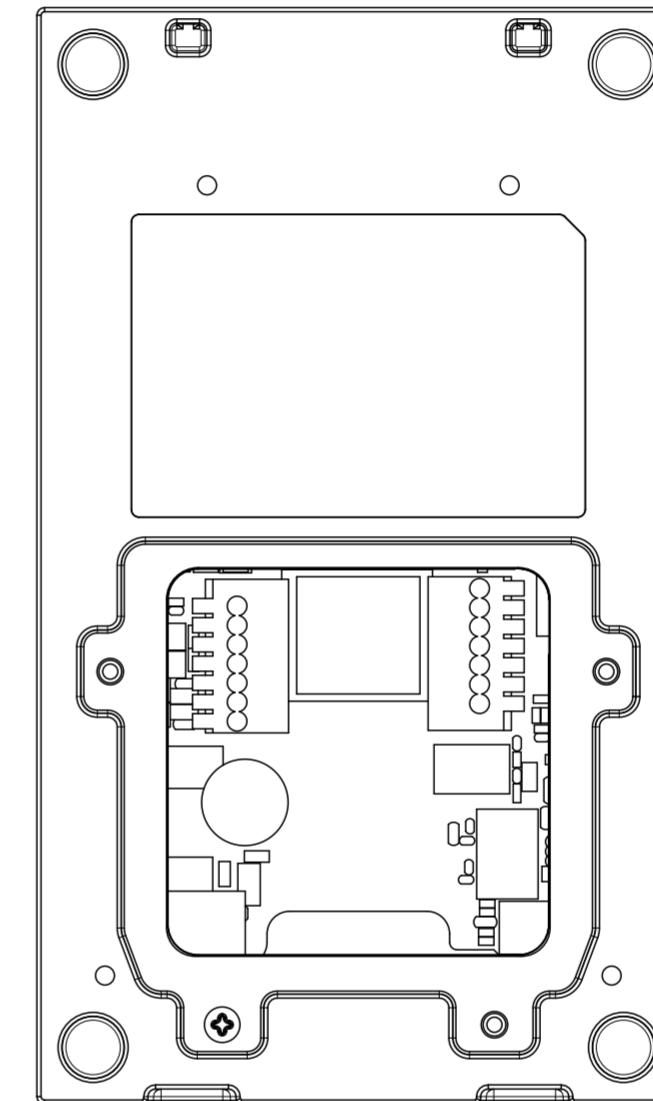
5 **TOP VIEW**



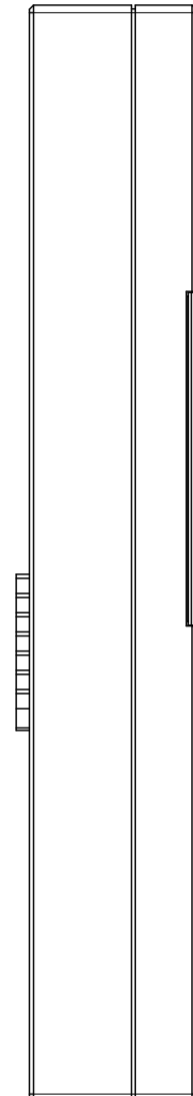
1 **FRONT VIEW**



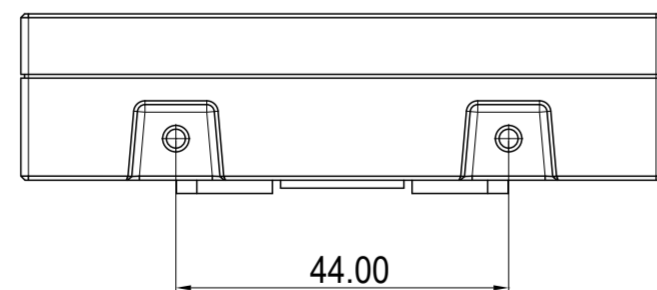
3 **LEFT VIEW**



4 **BACK VIEW**



2 **RIGHT VIEW**



6 **BOTTOM VIEW**

**Applicable Model**

R20A

**Drawing Title**

Intercom Panel

**Drawing Unit**

mm

**Drawing Scale**

Not to scale

**DRAFT  
SUBJECT TO  
CHANGE**

**Last Revised**

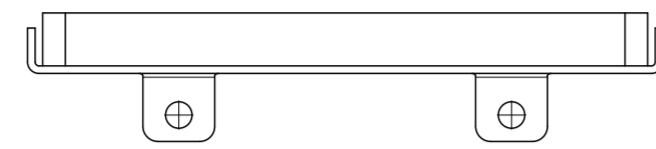
Mar 25,2020

**Drawing Version**

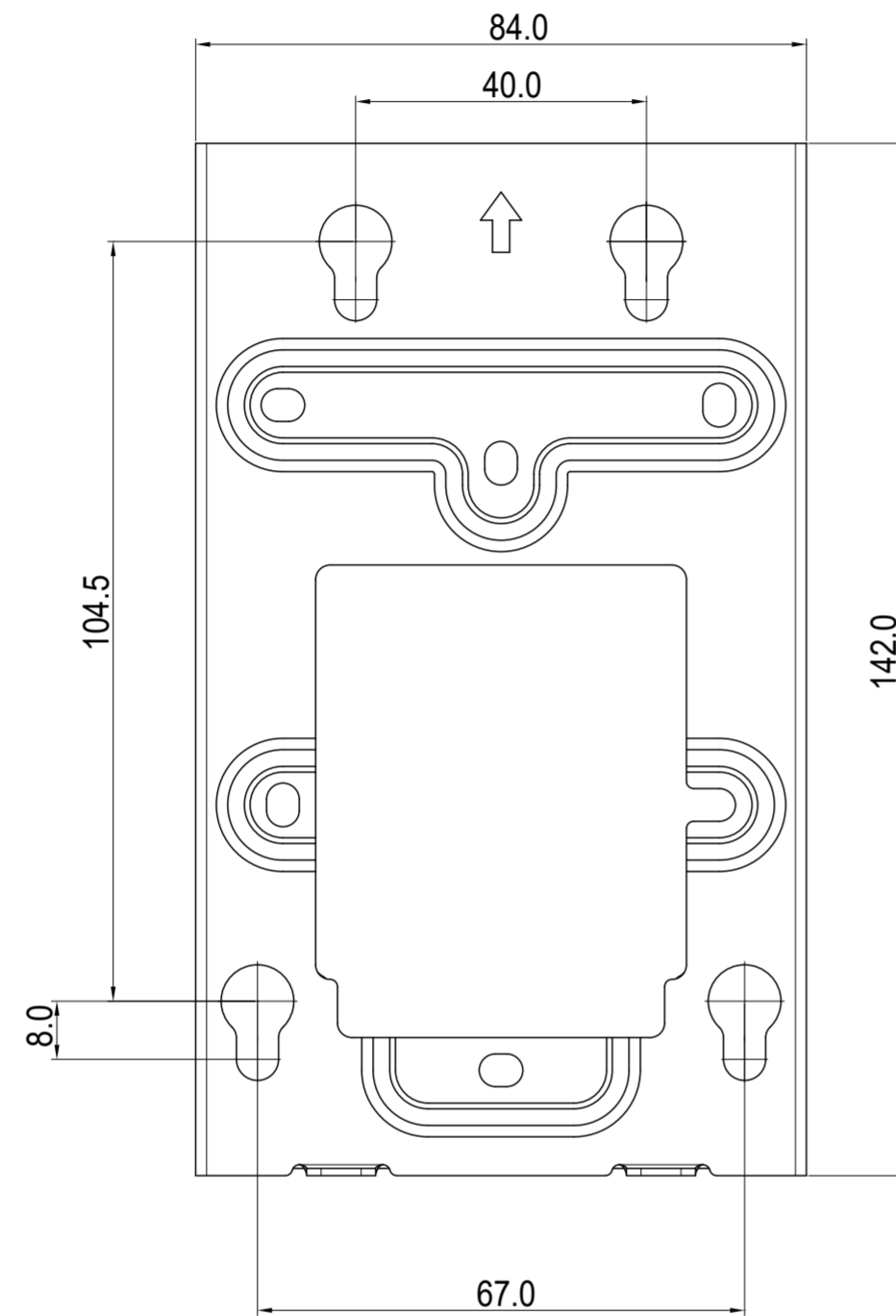
V1.0

**Page**

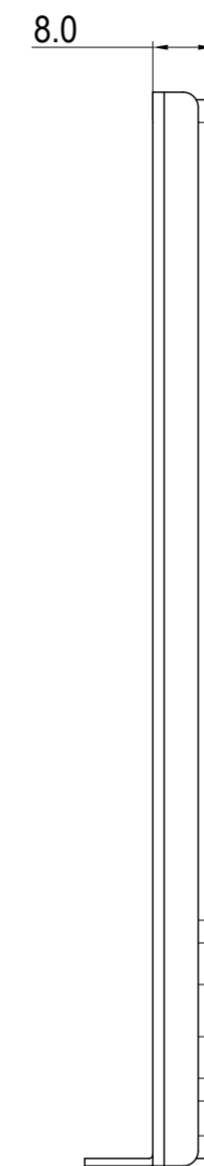
1 of 6



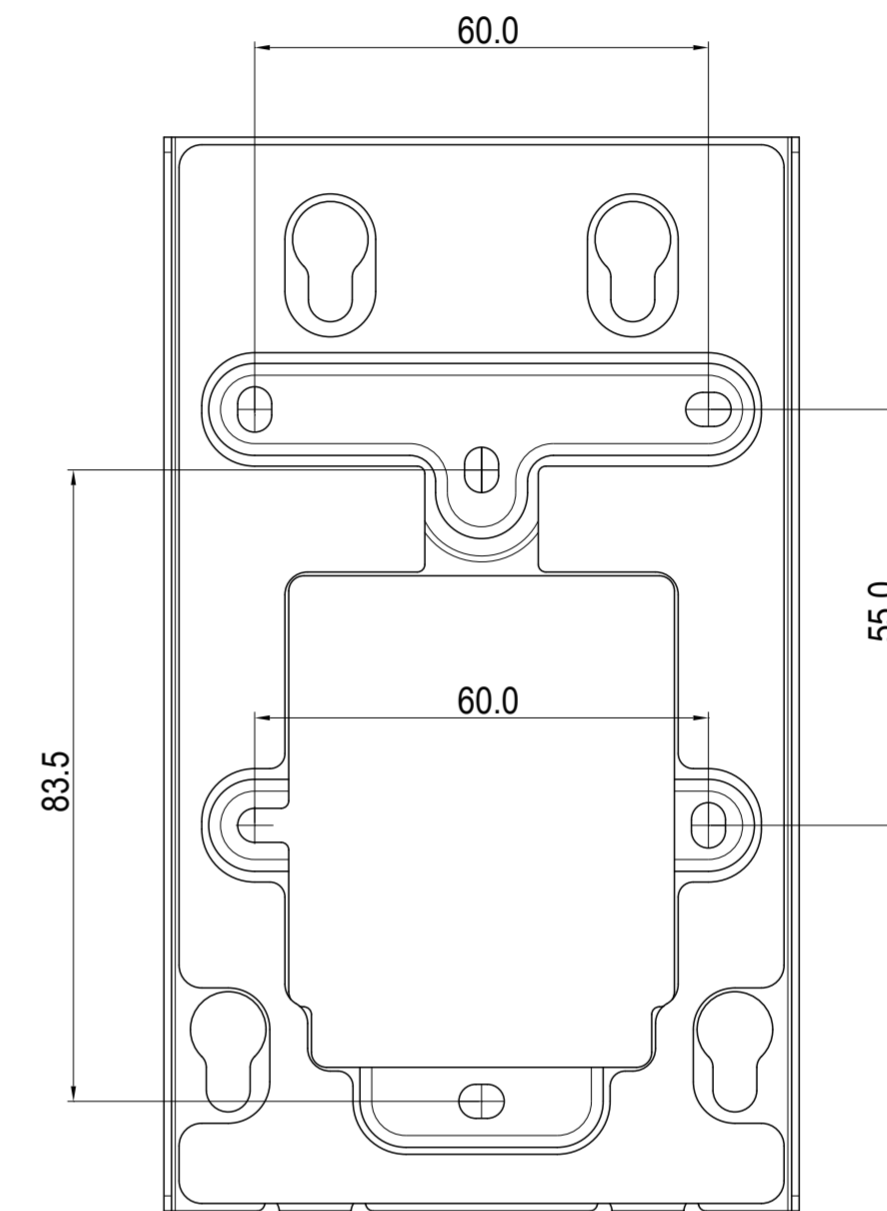
5 TOP VIEW



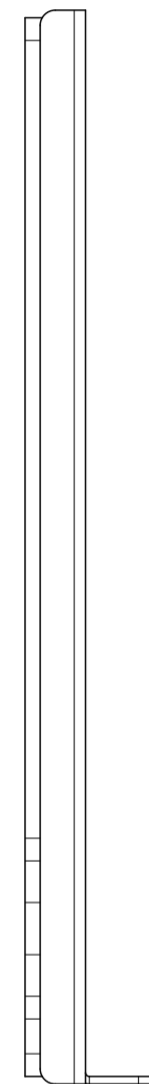
1 FRONT VIEW



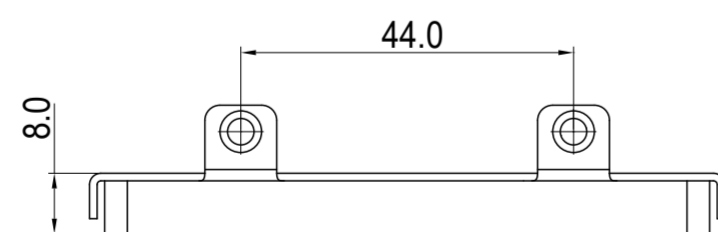
3 LEFT VIEW



4 BACK VIEW



2 RIGHT VIEW



6 BOTTOM VIEW

**Applicable Model**

R20A

**Drawing Title**

Wall Mounting Bracket

**Drawing Unit**

mm

**Drawing Scale**

Not to scale

**DRAFT  
SUBJECT TO  
CHANGE**

**Last Revised**

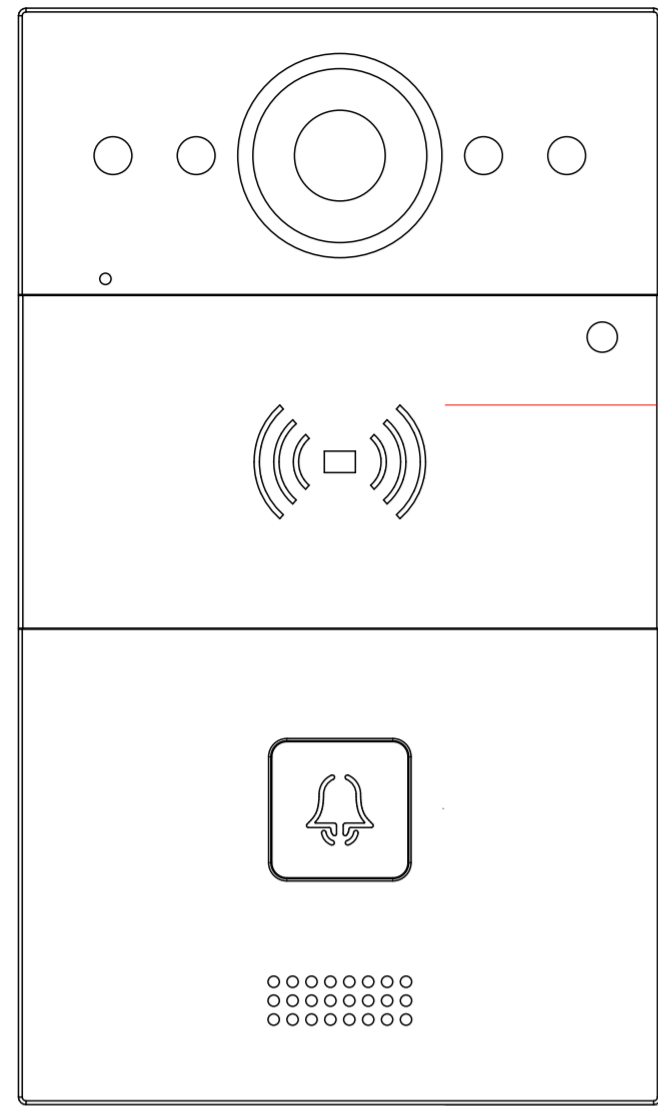
Mar 25,2020

**Drawing Version**

V1.0

**Page**

2 of 6

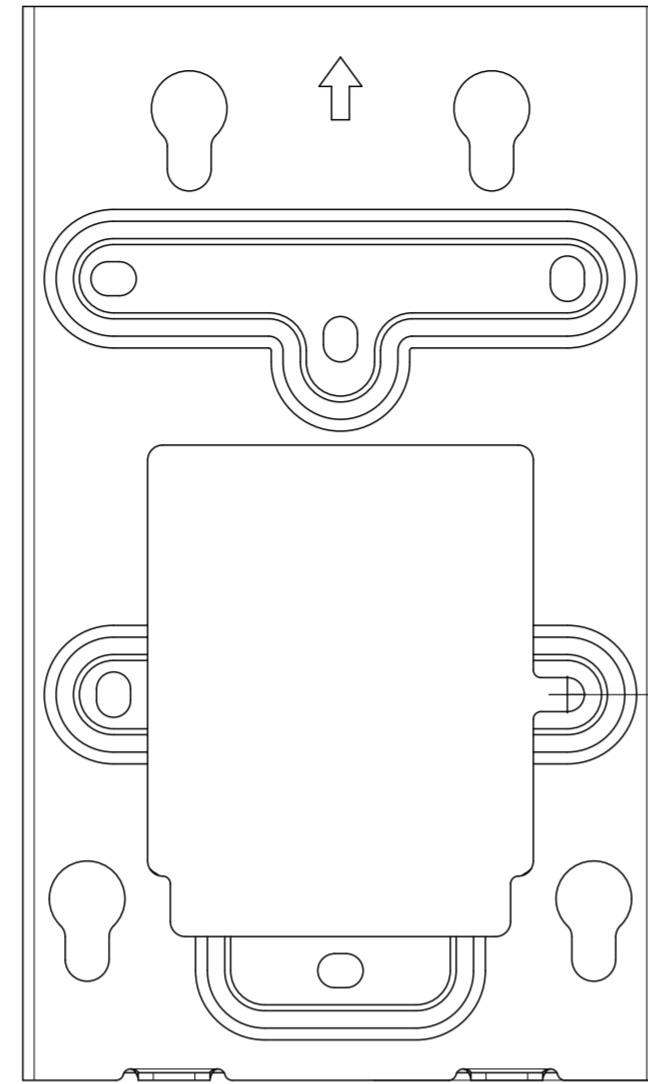


1 INTERCOM PANEL FRONT VIEW

1160.6mm TO BOTTOM OF PANEL

1254.4mm MAX TO TOP OF USABLE PARTS

GROUND

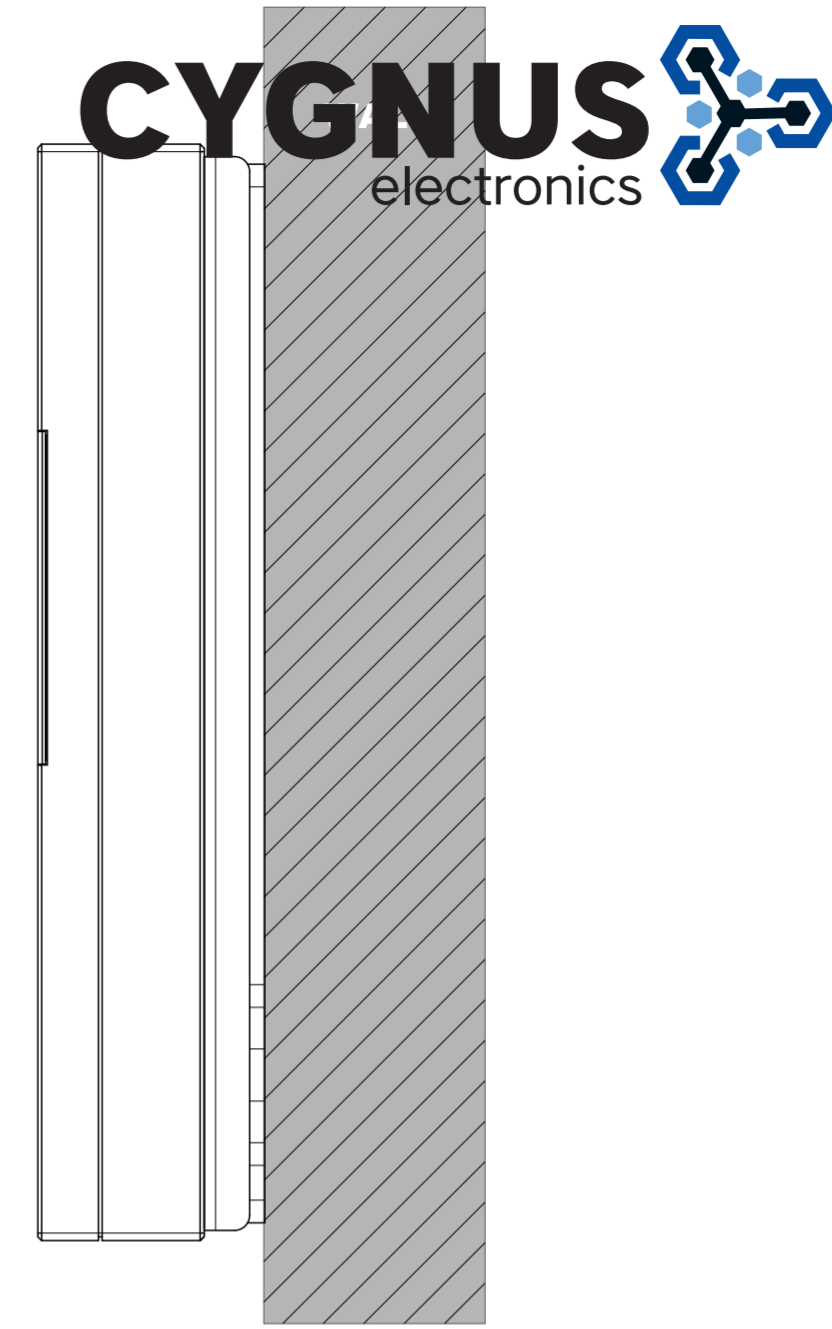


2 FRONT VIEW:WALL MOUNTING BRACKET PLACEMENT

1162.35mm TO BOTTOM OF BRACKET

1213.35mm TO SCREW HOLE CENTER OF BRACKET

GROUND



3 SIDE VIEW:INTERCOM PANEL ON WALL

**Applicable Model**

R20A

**Drawing Title**

Placement

**Drawing Unit**

mm

**Drawing Scale**

Not to scale

**DRAFT  
SUBJECT TO  
CHANGE**

**Last Revised**

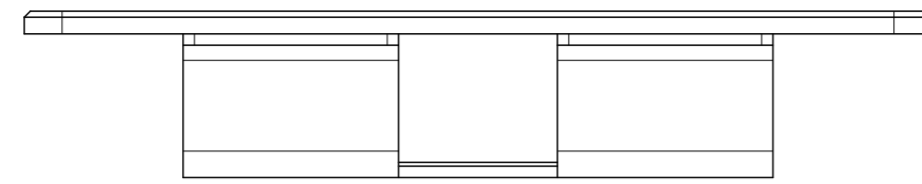
Mar 25,2020

**Drawing Version**

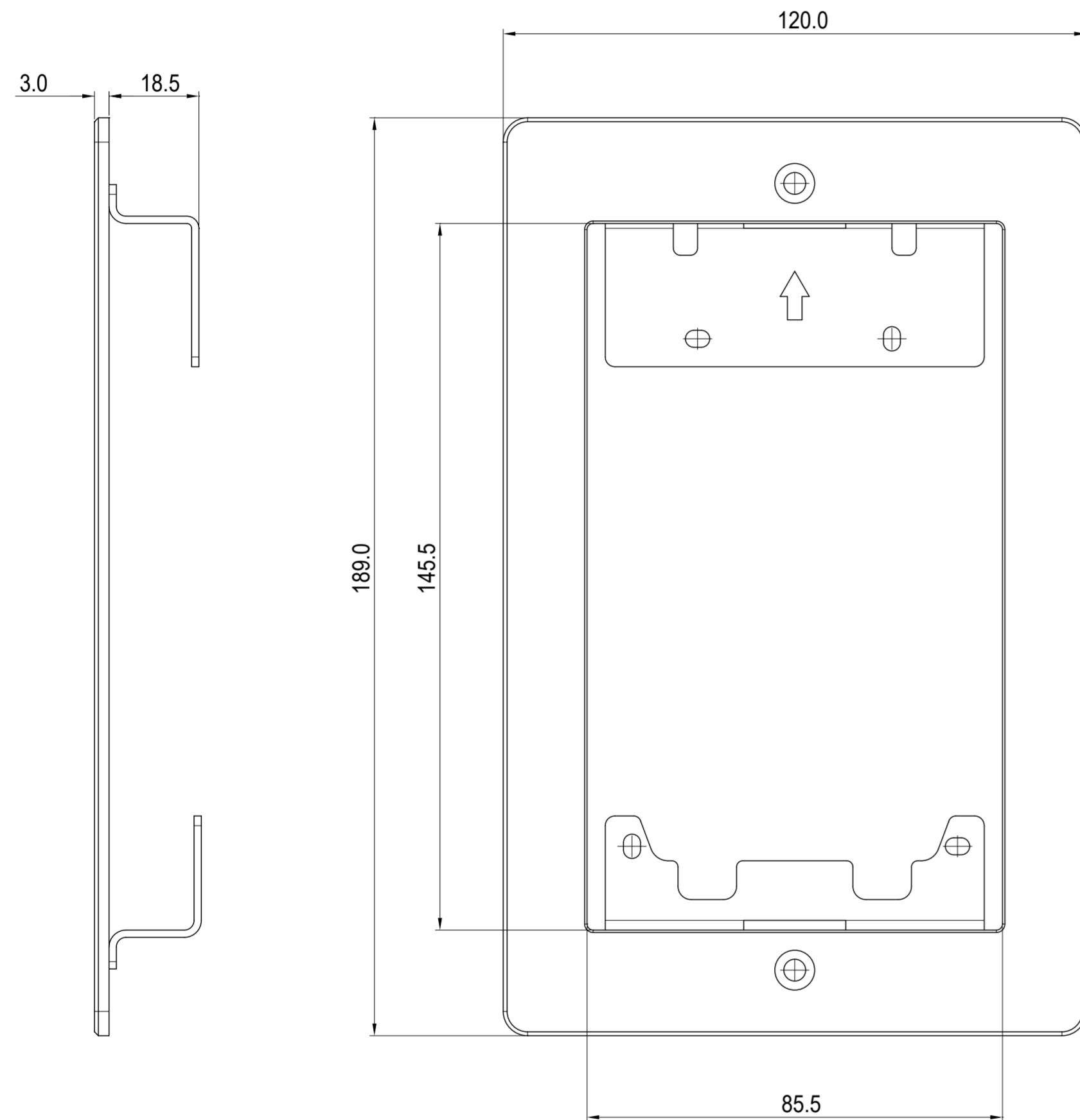
V1.0

**Page**

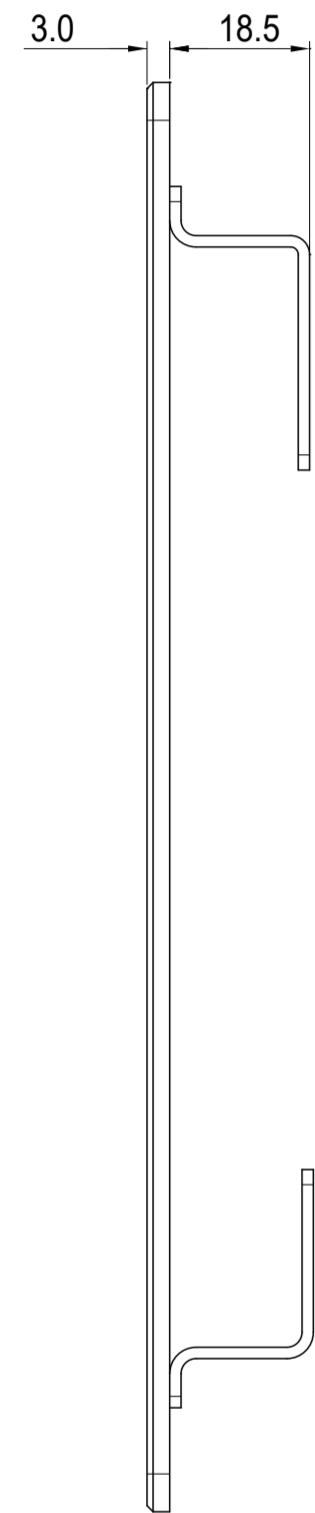
3 of 6



5 TOP VIEW



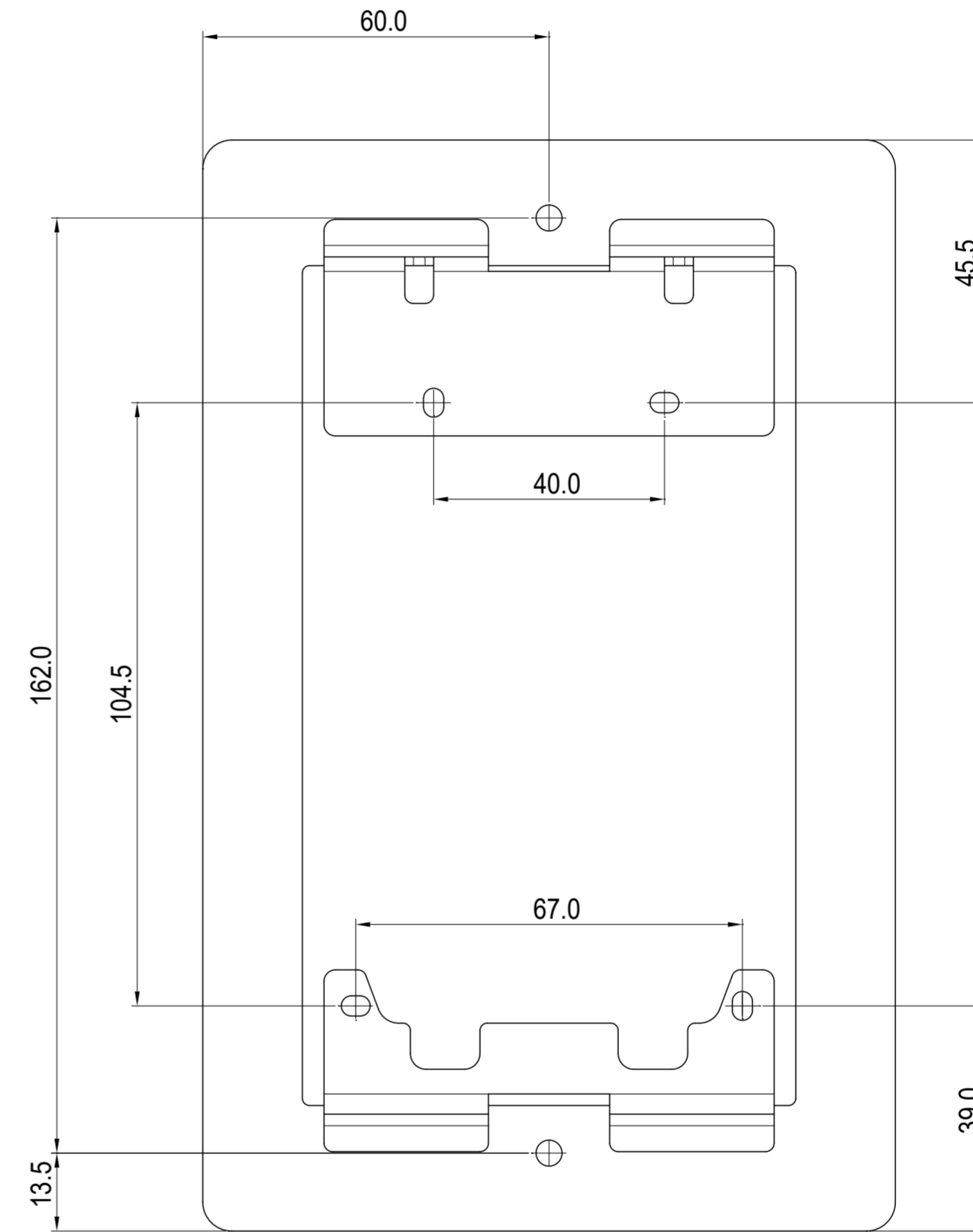
1 FRONT VIEW



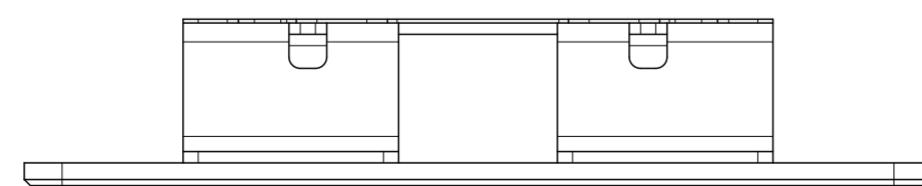
2 RIGHT VIEW



3 LEFT VIEW



4 BACK VIEW



6 BOTTOM VIEW

**Applicable Model**

R20A

**Drawing Title**

Decorative Panel

**Drawing Unit**

mm

**Drawing Scale**

Not to scale

**DRAFT  
SUBJECT TO  
CHANGE**

**Last Revised**

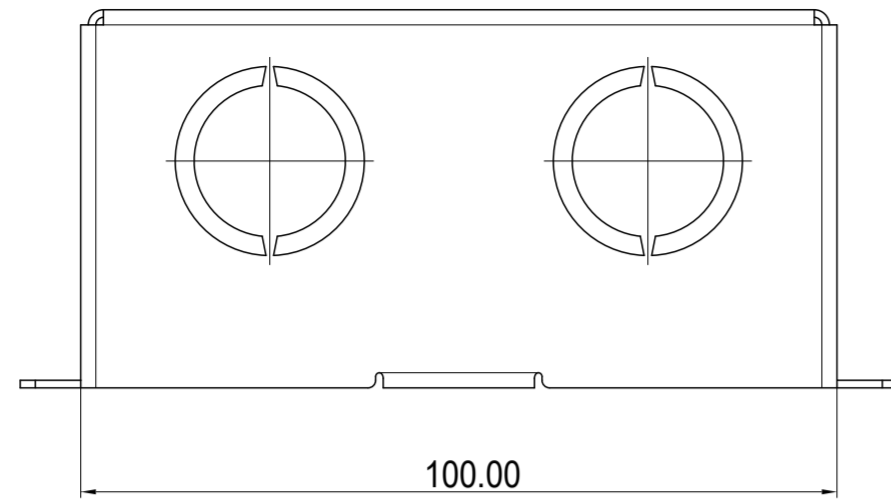
Mar 25,2020

**Drawing Version**

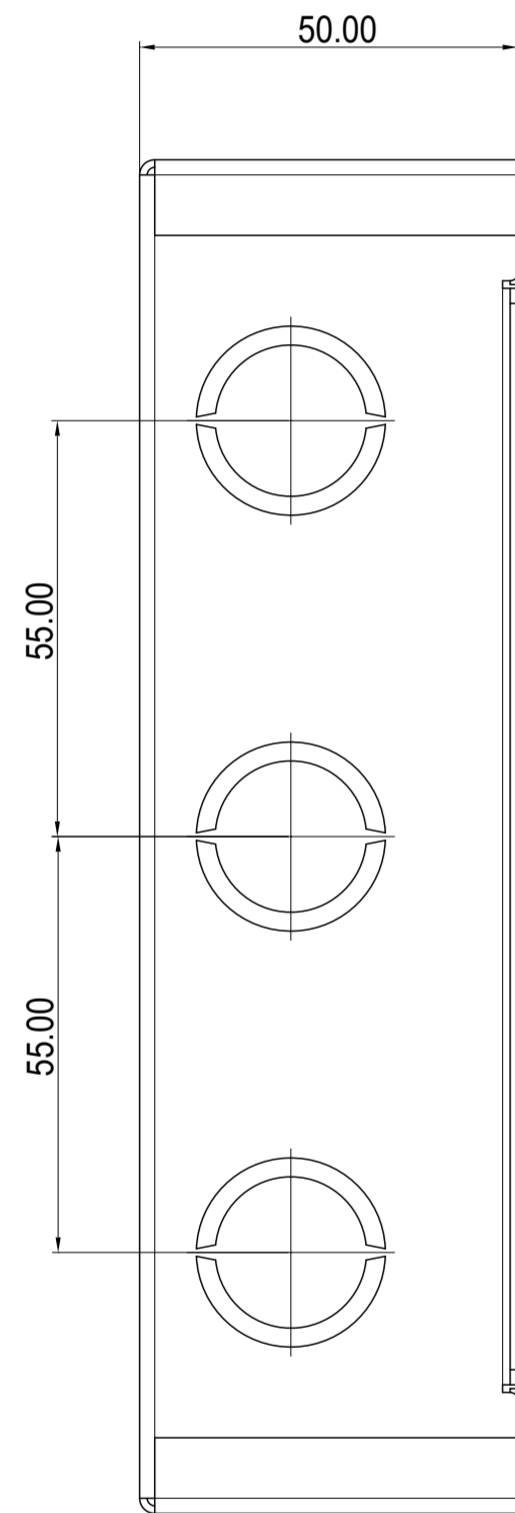
V1.0

**Page**

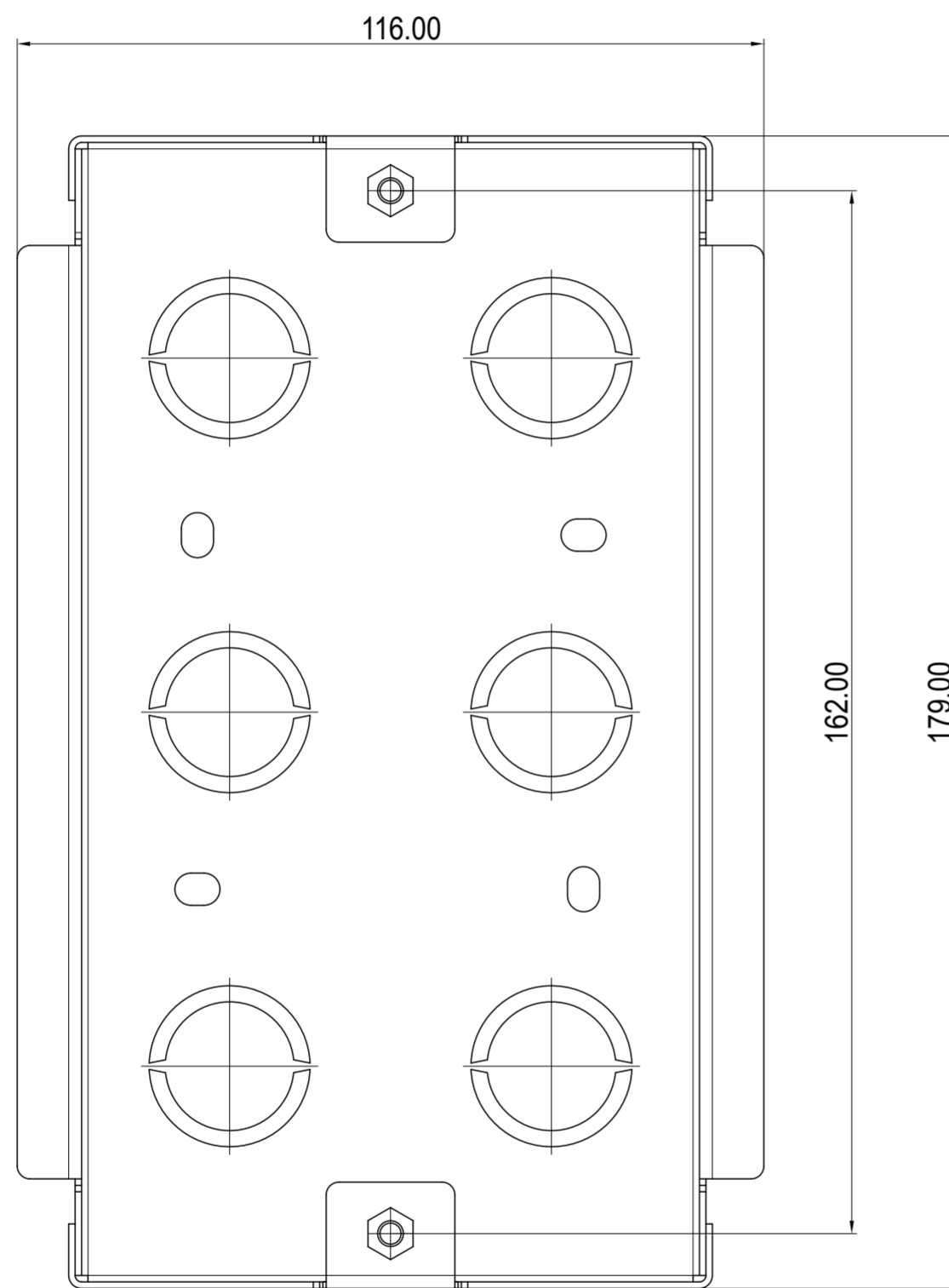
4 of 6



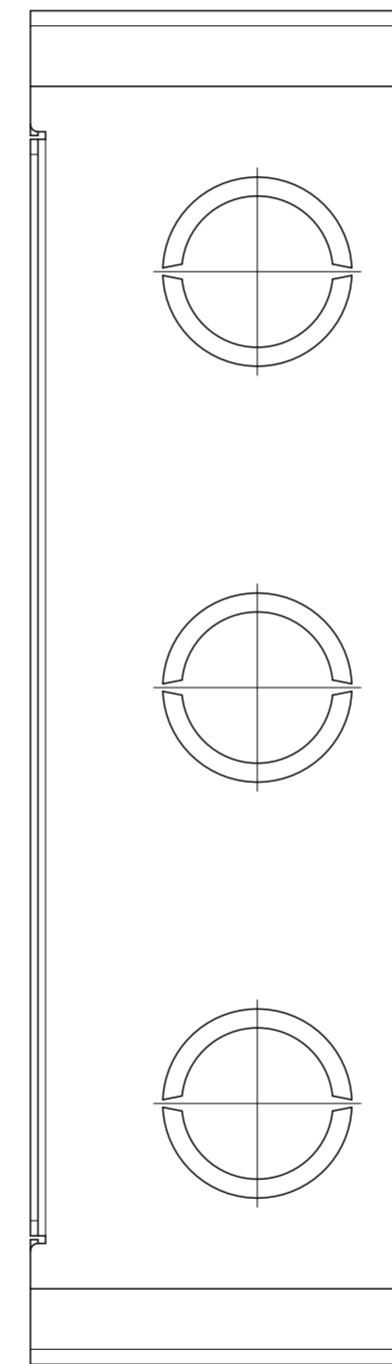
5 **TOP VIEW**



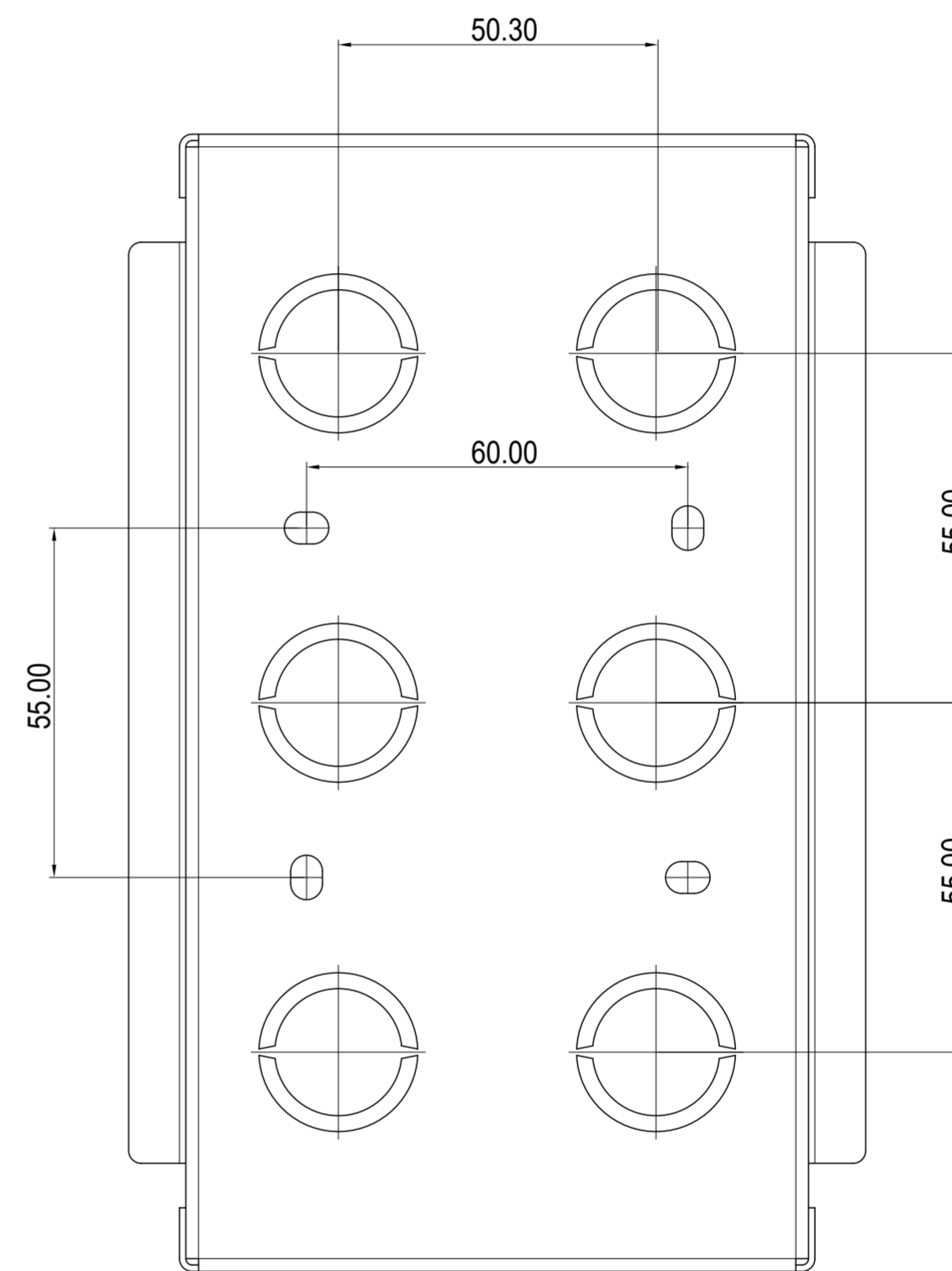
2 **RIGHT VIEW**



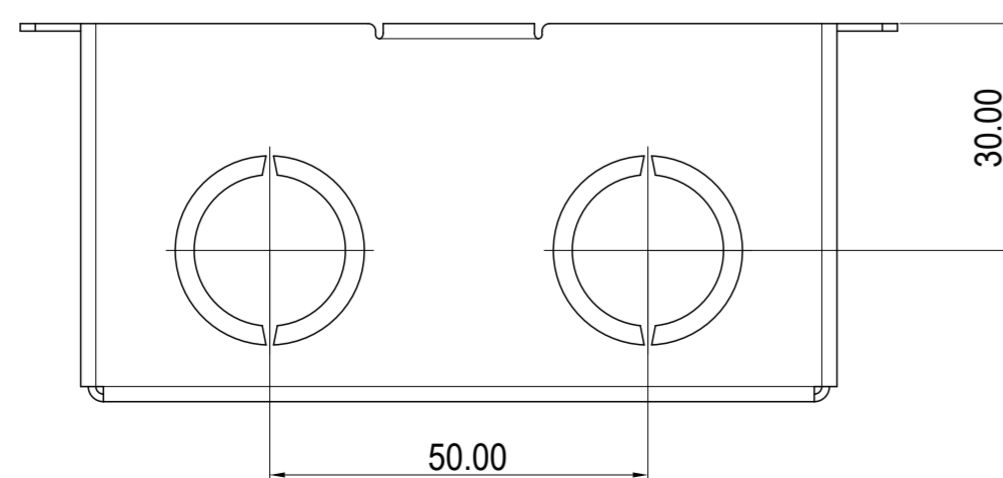
1 **FRONT VIEW**



3 **LEFT VIEW**



4 **BACK VIEW**



6 **BOTTOM VIEW**

**Applicable Model**

R20A

**Drawing Title**

Flush Mounting Box

**Drawing Unit**

mm

**Drawing Scale**

Not to scale

**DRAFT  
SUBJECT TO  
CHANGE**

**Last Revised**

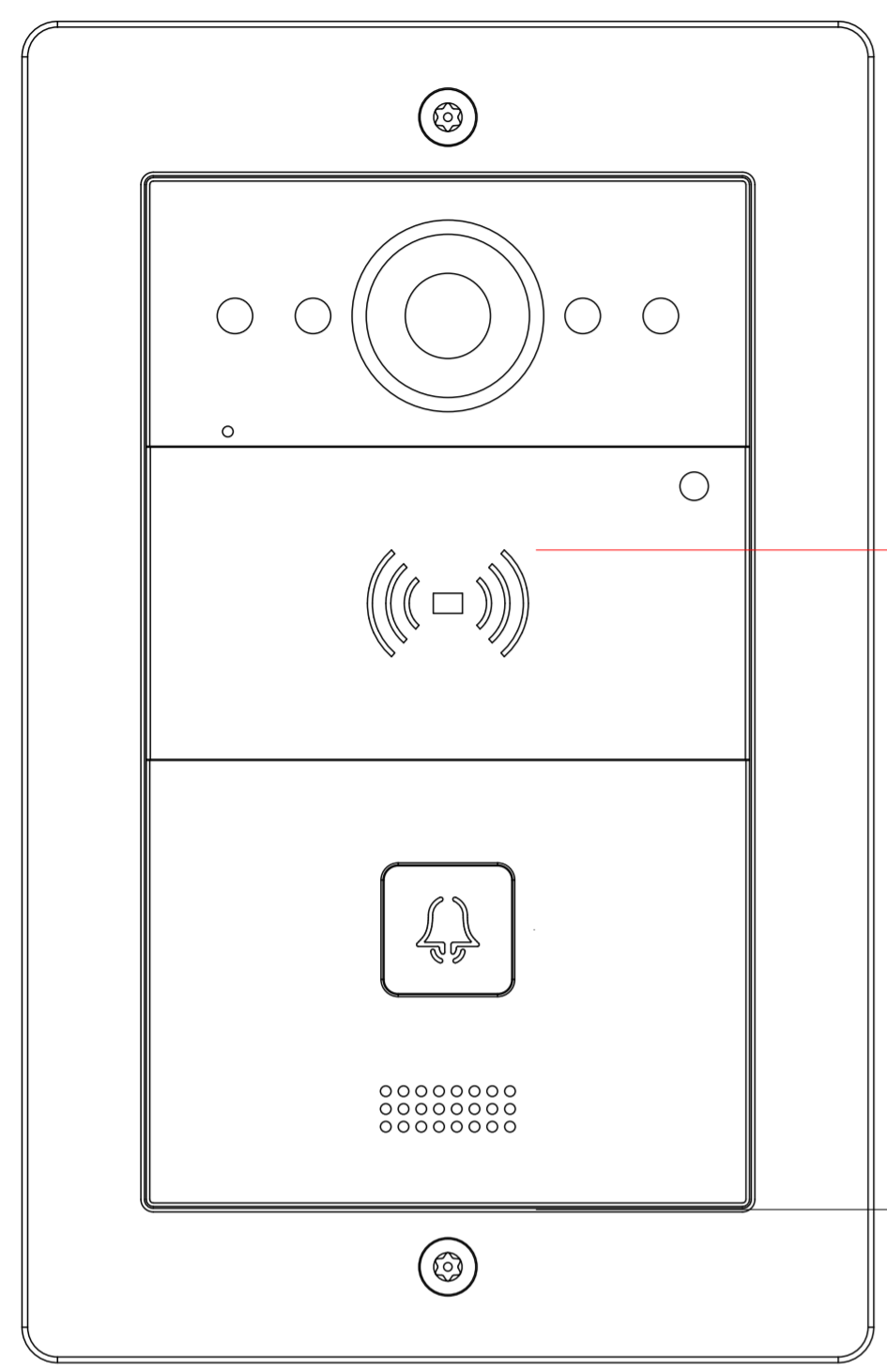
Mar 25,2020

**Drawing Version**

V1.0

**Page**

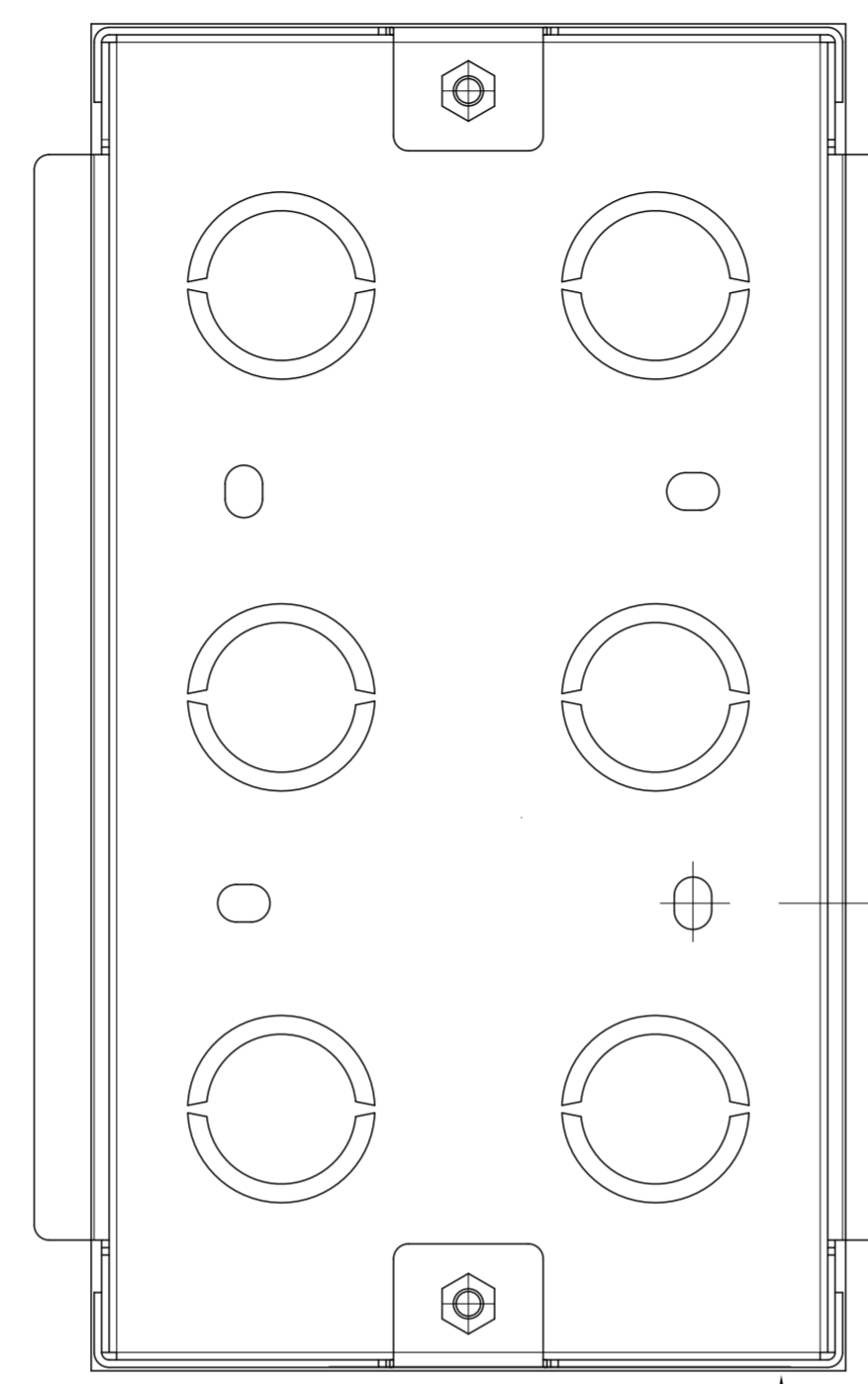
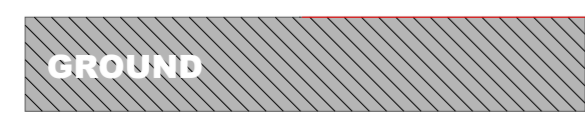
5 of 6



1 INTERCOM PANEL FRONT VIEW

1160.6mm TO BOTTOM OF PANEL

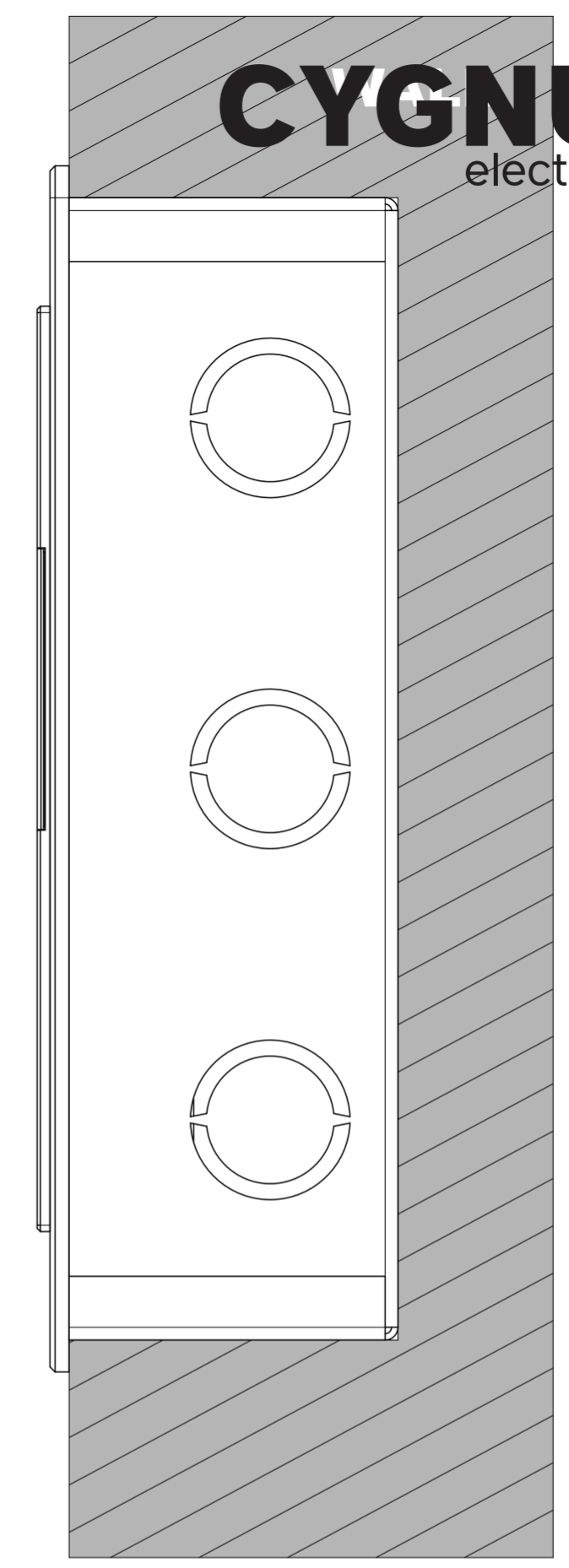
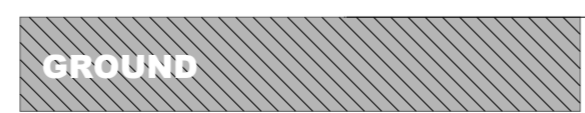
1254.4mm MAX TO TOP OF USABLE PARTS



2 FRONT VIEW: FLUSHING MOUNTING BOX PLACEMENT

1162.35mm TO BOTTOM OF BRACKET

1213.35mm TO SCREW HOLE CENTER OF BRACKET



3 SIDE VIEW: INTERCOM PANEL ON WALL

**Applicable Model**  
R20A

**Drawing Title**  
Placement

**Drawing Unit**  
mm

**Drawing Scale**  
Not to scale

**DRAFT**  
**SUBJECT TO CHANGE**

**Last Revised**  
Mar 25,2020

**Drawing Version**  
V1.0

**Page**  
6 of 6