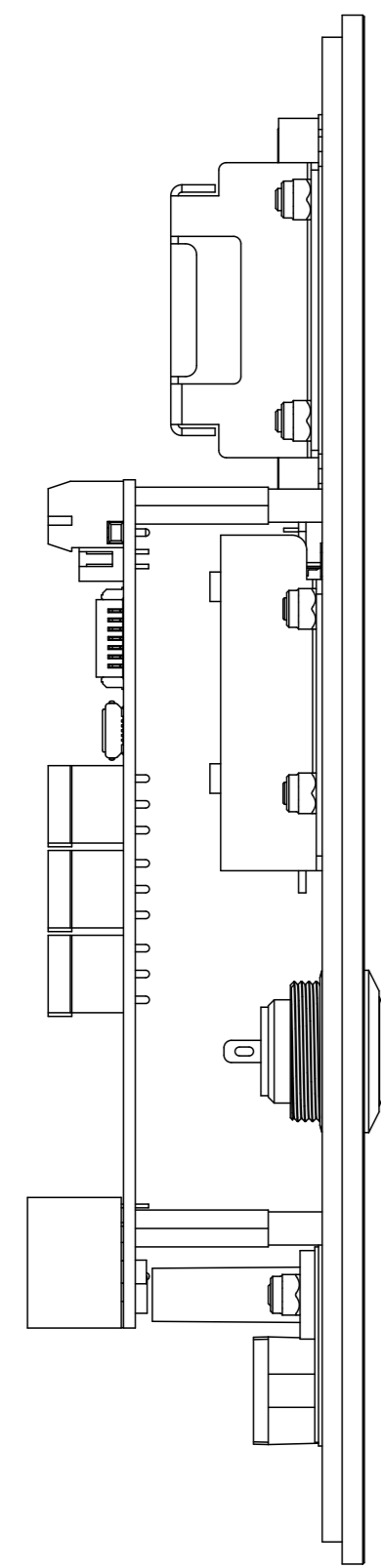
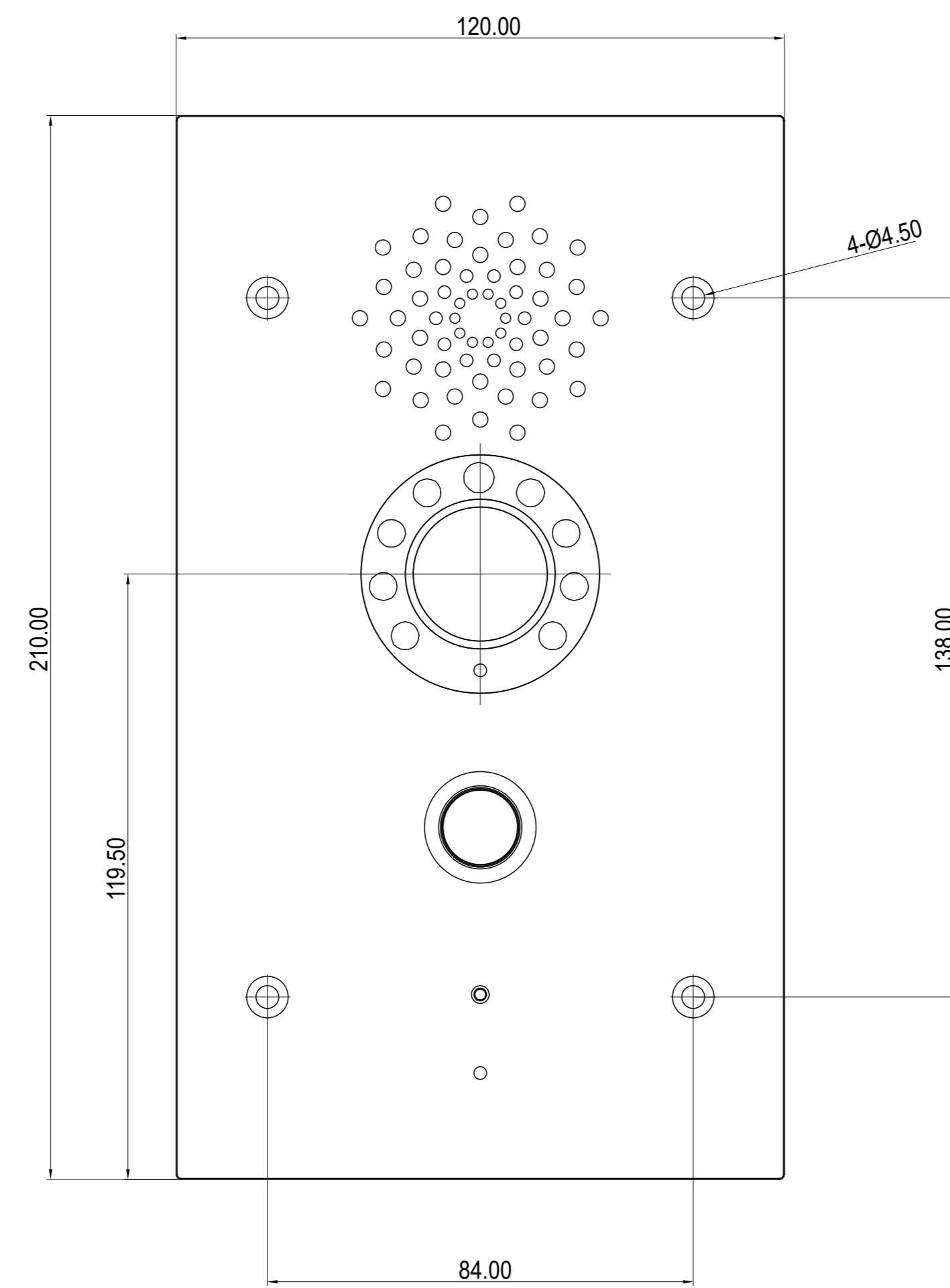


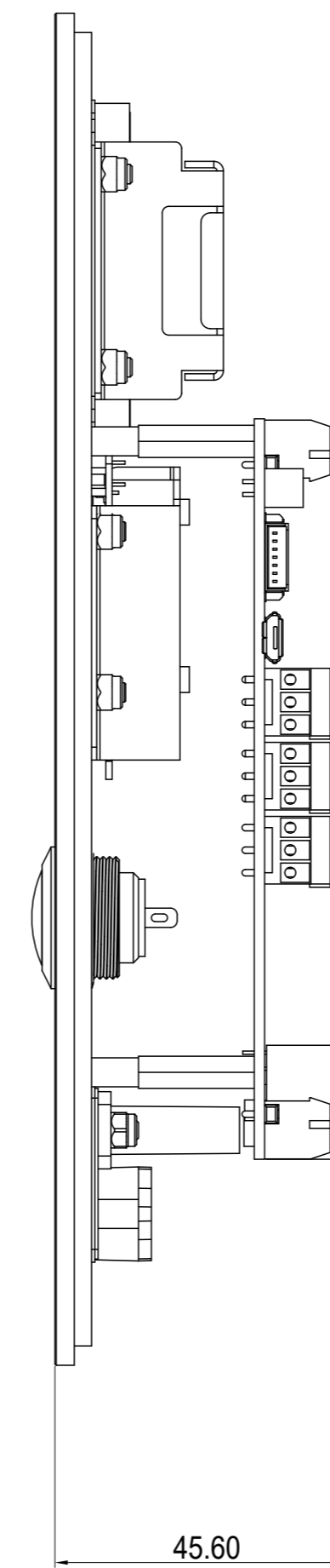
5 TOP VIEW



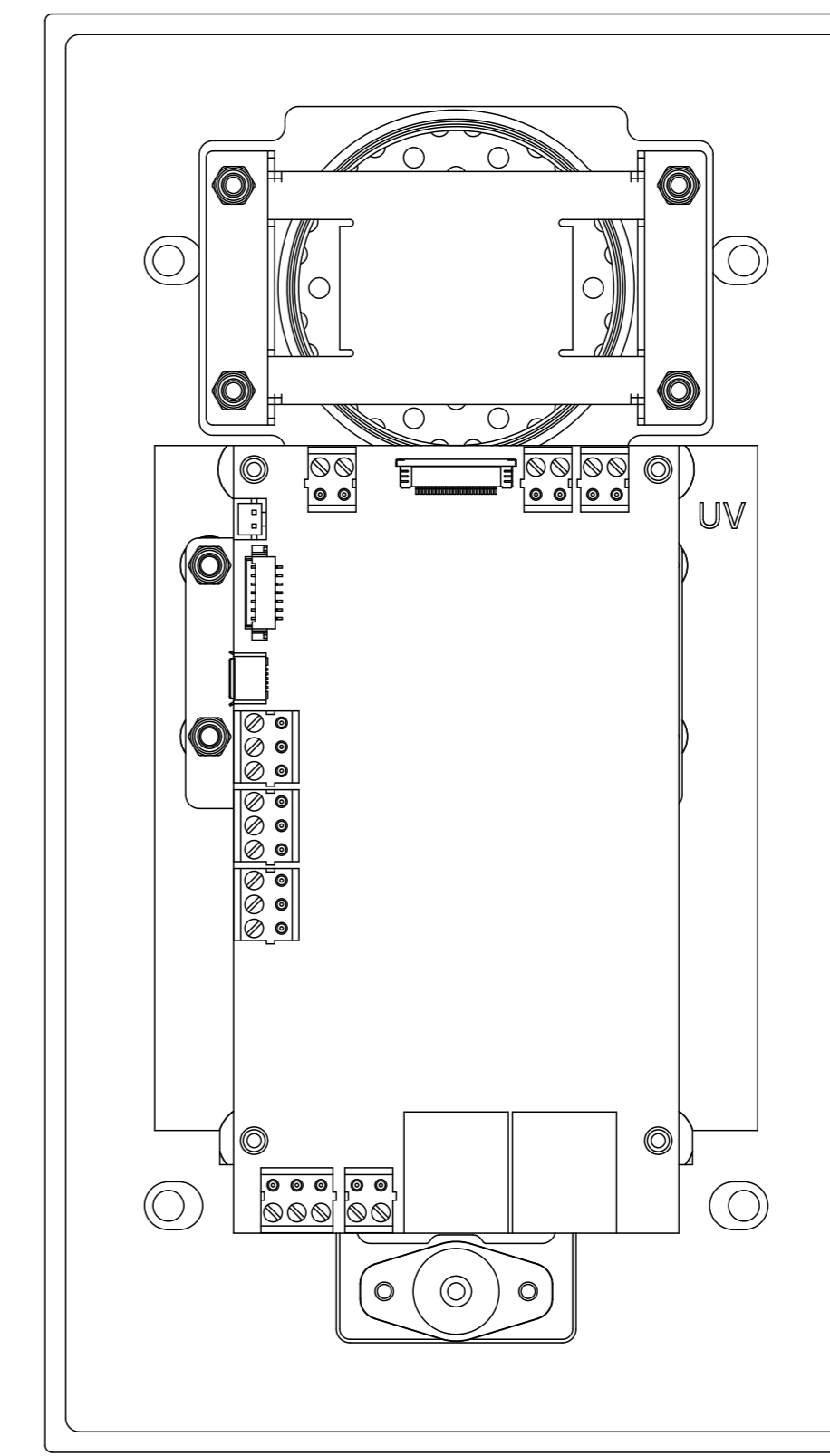
2 RIGHT VIEW



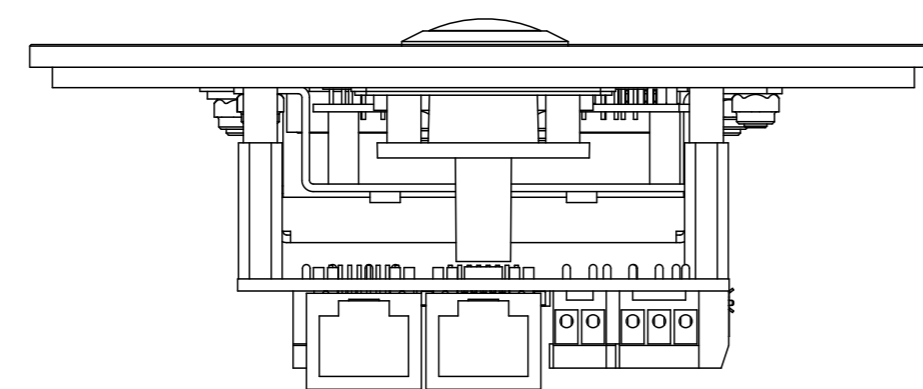
1 FRONT VIEW



3 LEFT VIEW



4 BACK VIEW



6 BOTTOM VIEW

Applicable Model
E21V

Drawing Title
Intercom Panel

Drawing Unit
mm

Drawing Scale
Not to scale

**DRAFT
SUBJECT TO
CHANGE**

Last Revised
December 31,2019

Drawing Version
V1.0

Page
1 of 4

Applicable Model

E21A

Drawing Title

Intercom Panel

Drawing Unit

mm

Drawing Scale

Not to scale

**DRAFT
SUBJECT TO
CHANGE**

Last Revised

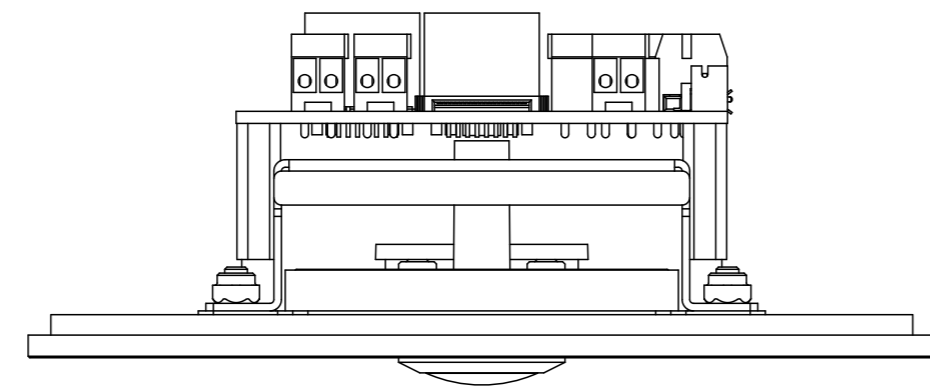
December 31,2019

Drawing Version

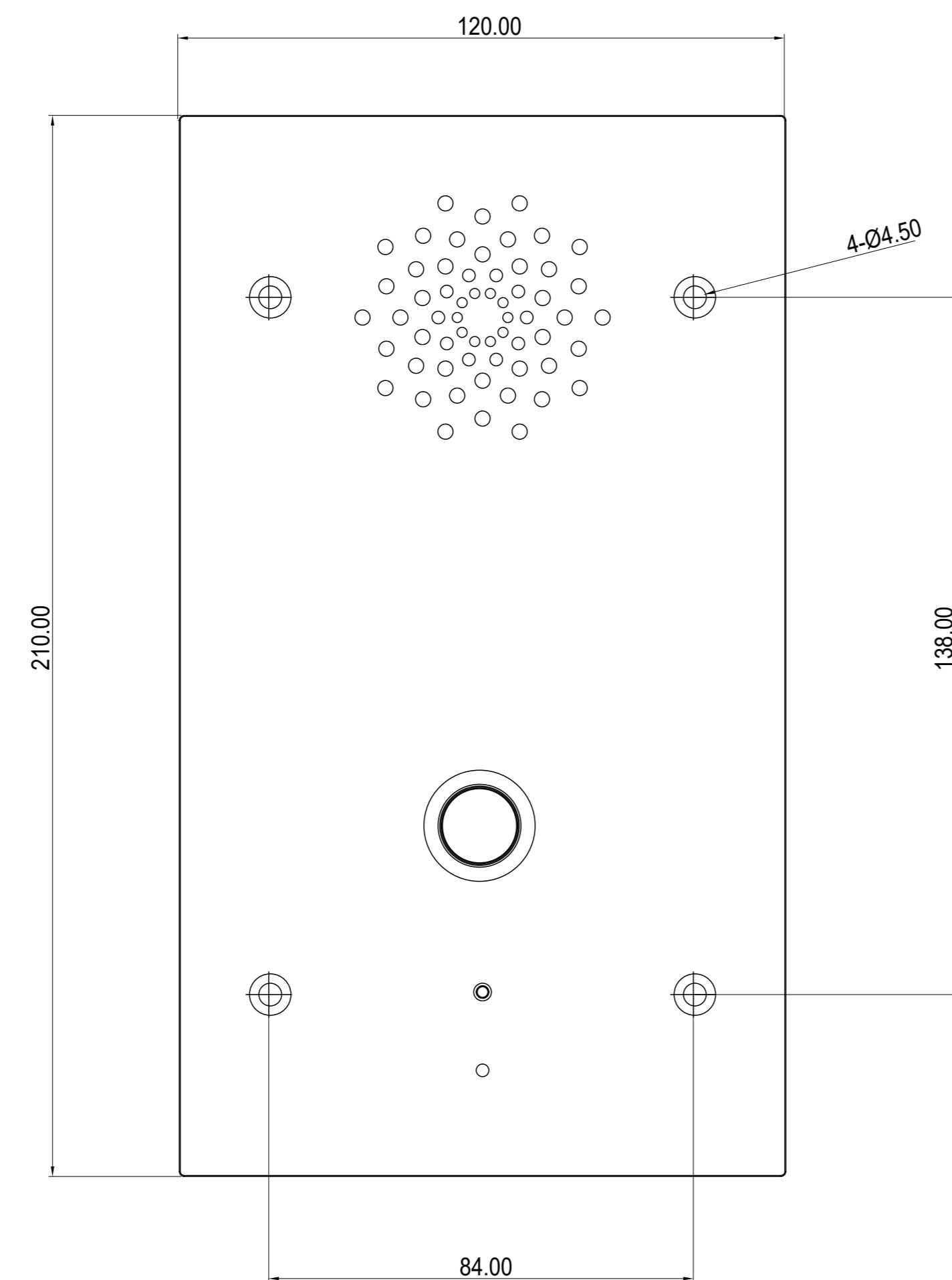
V1.0

Page

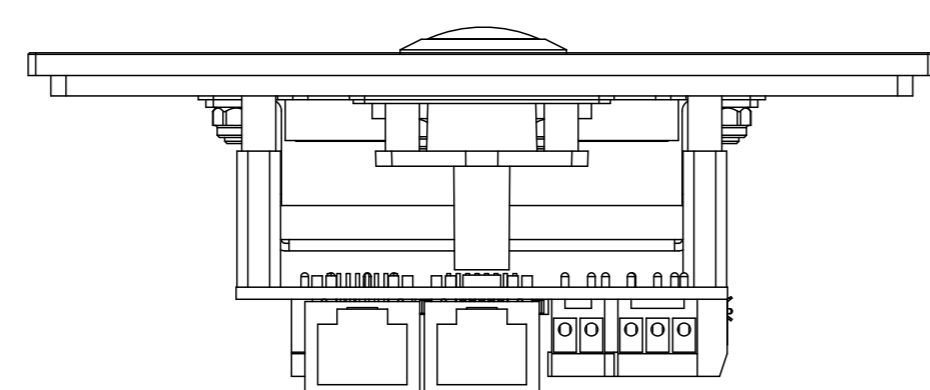
2of 4



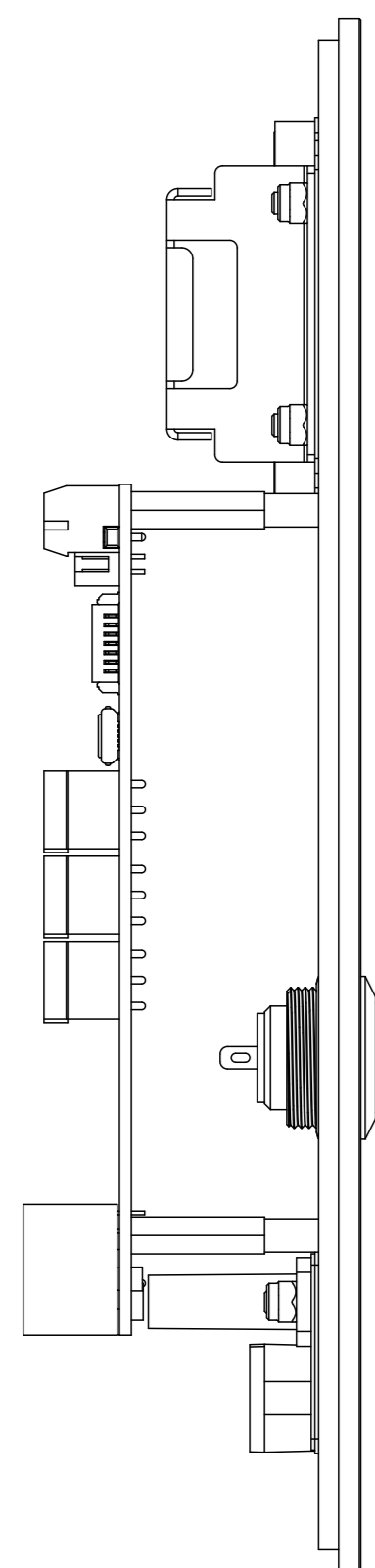
5 TOP VIEW



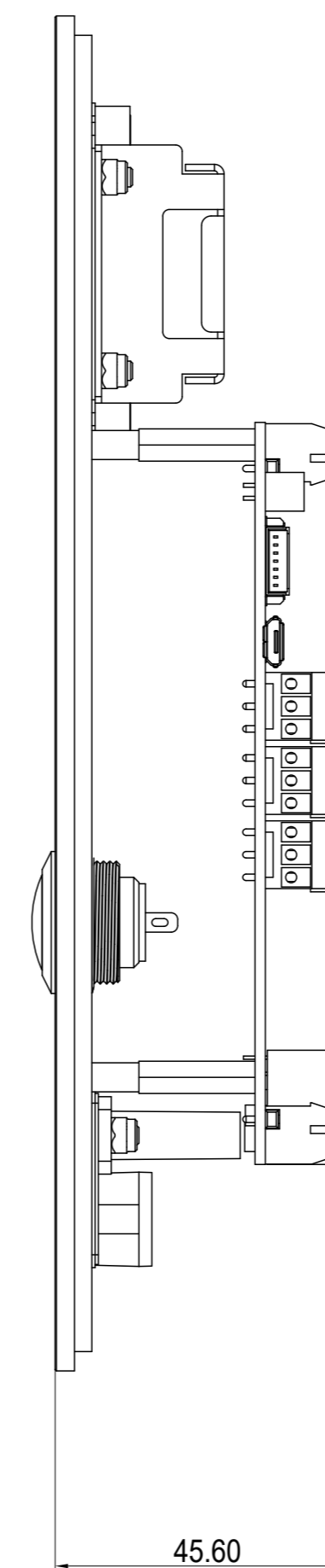
1 FRONT VIEW



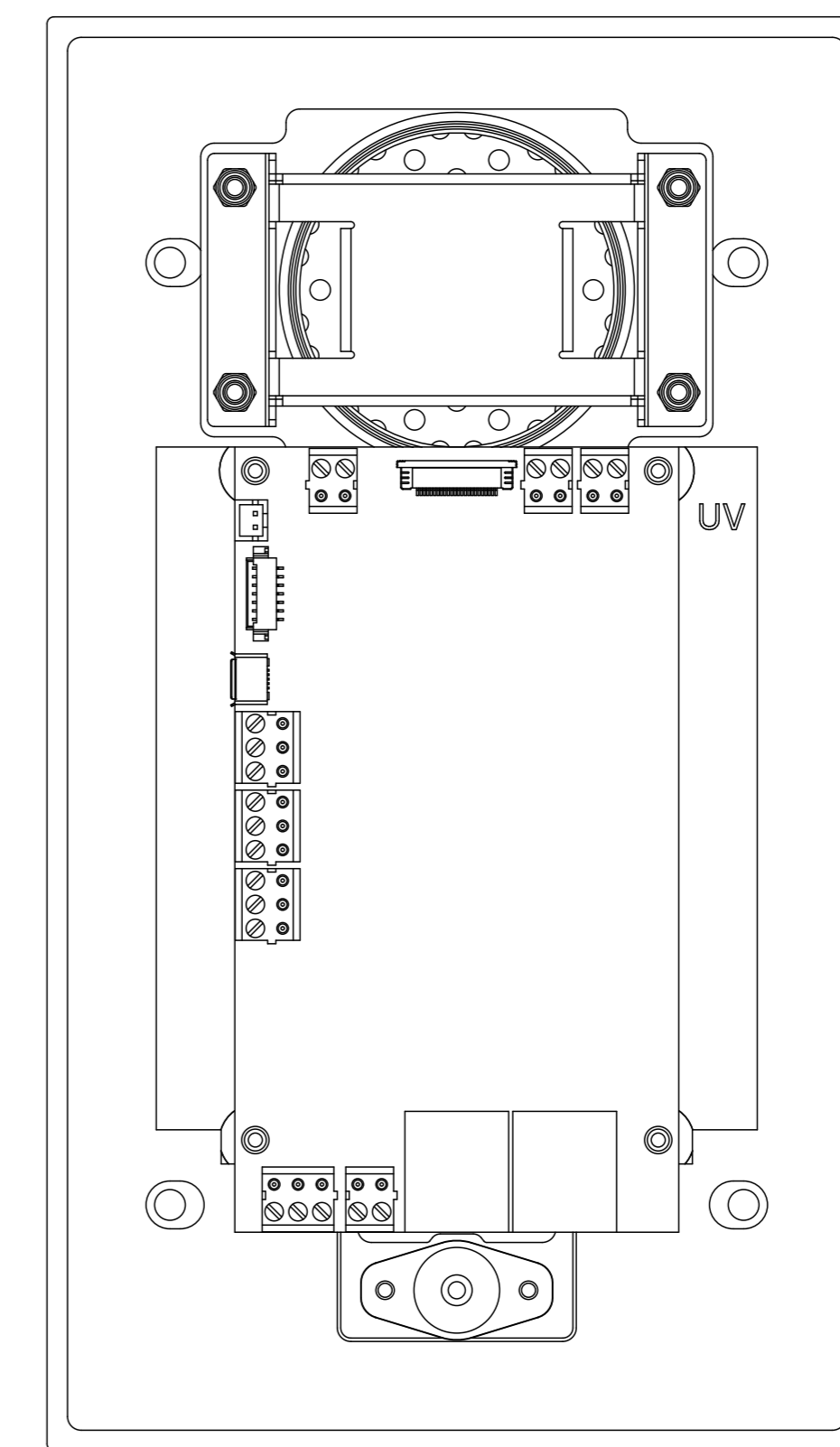
6 BOTTOM VIEW



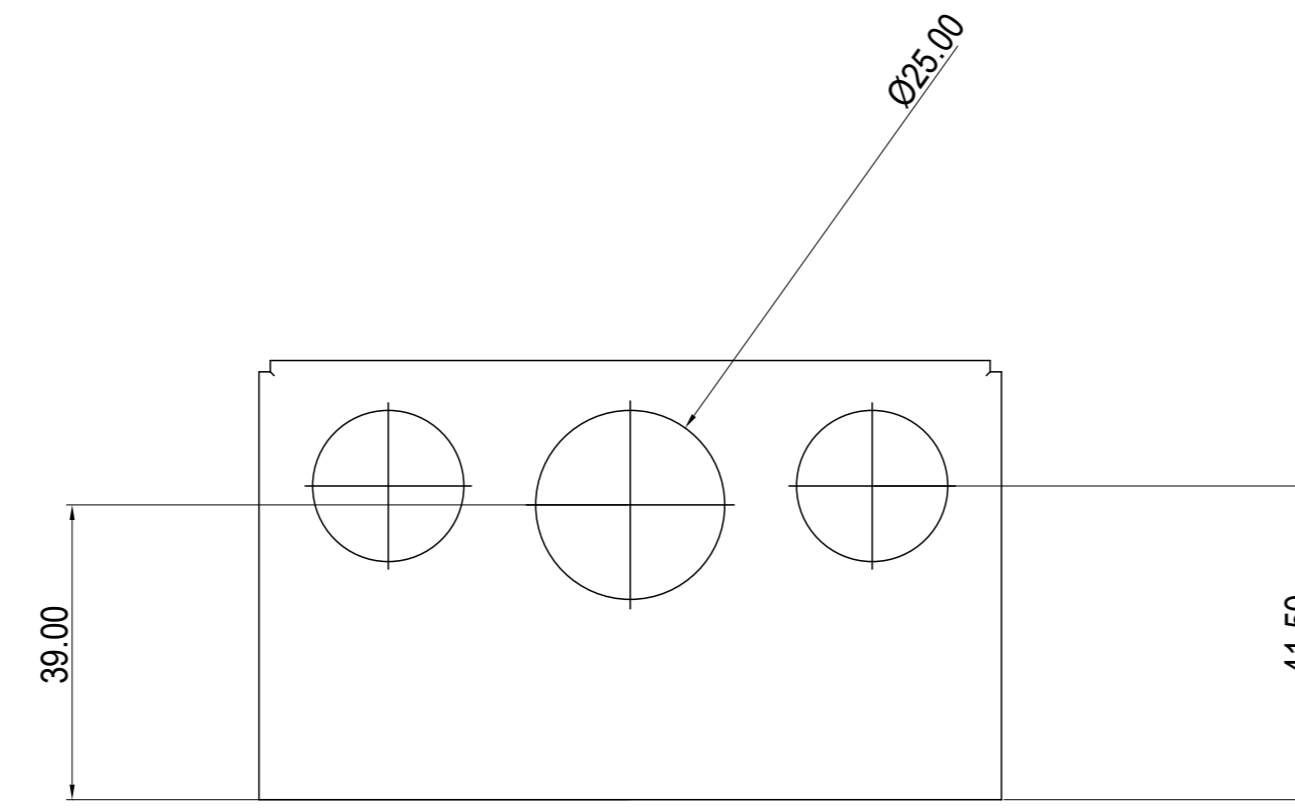
2 RIGHT VIEW



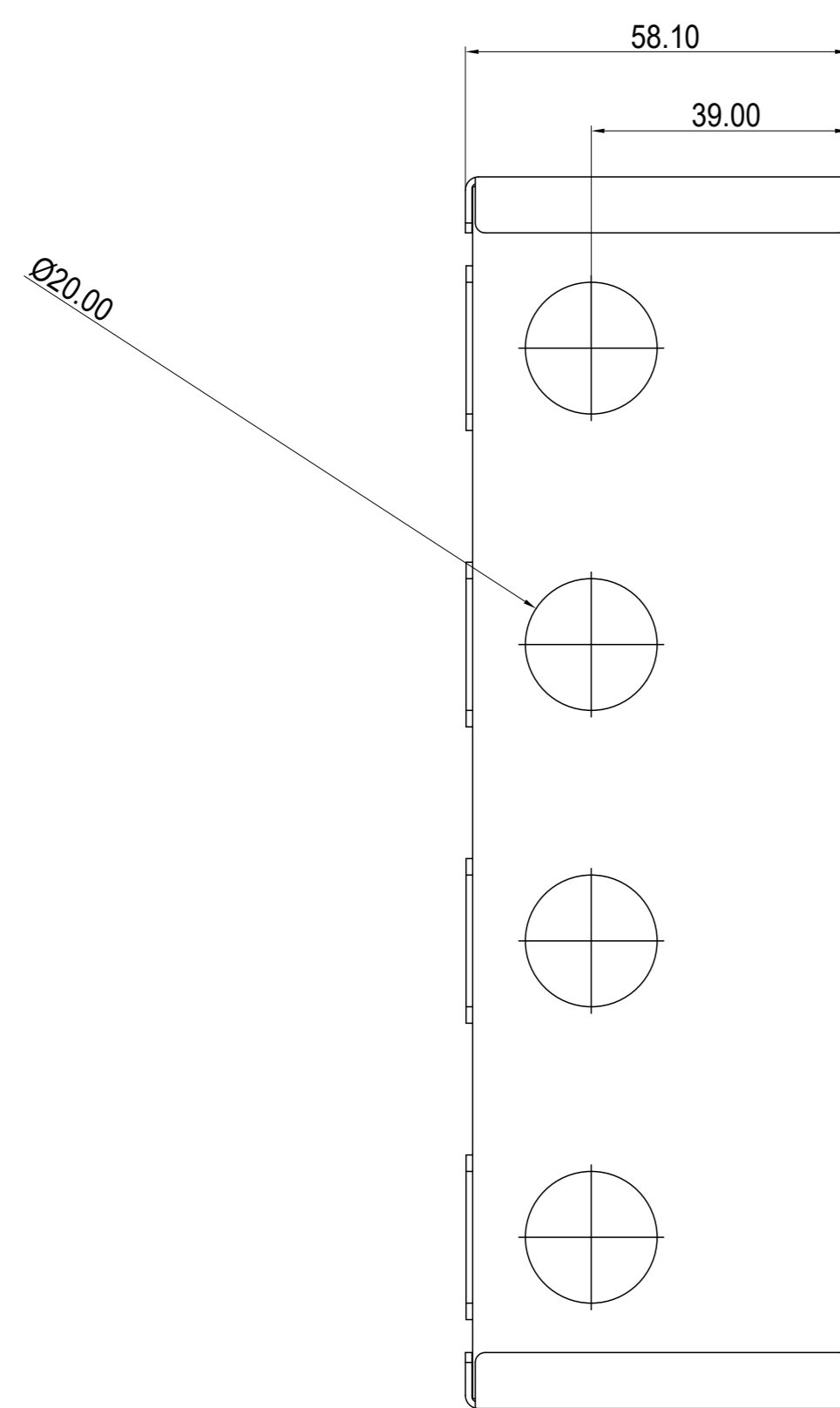
3 LEFT VIEW



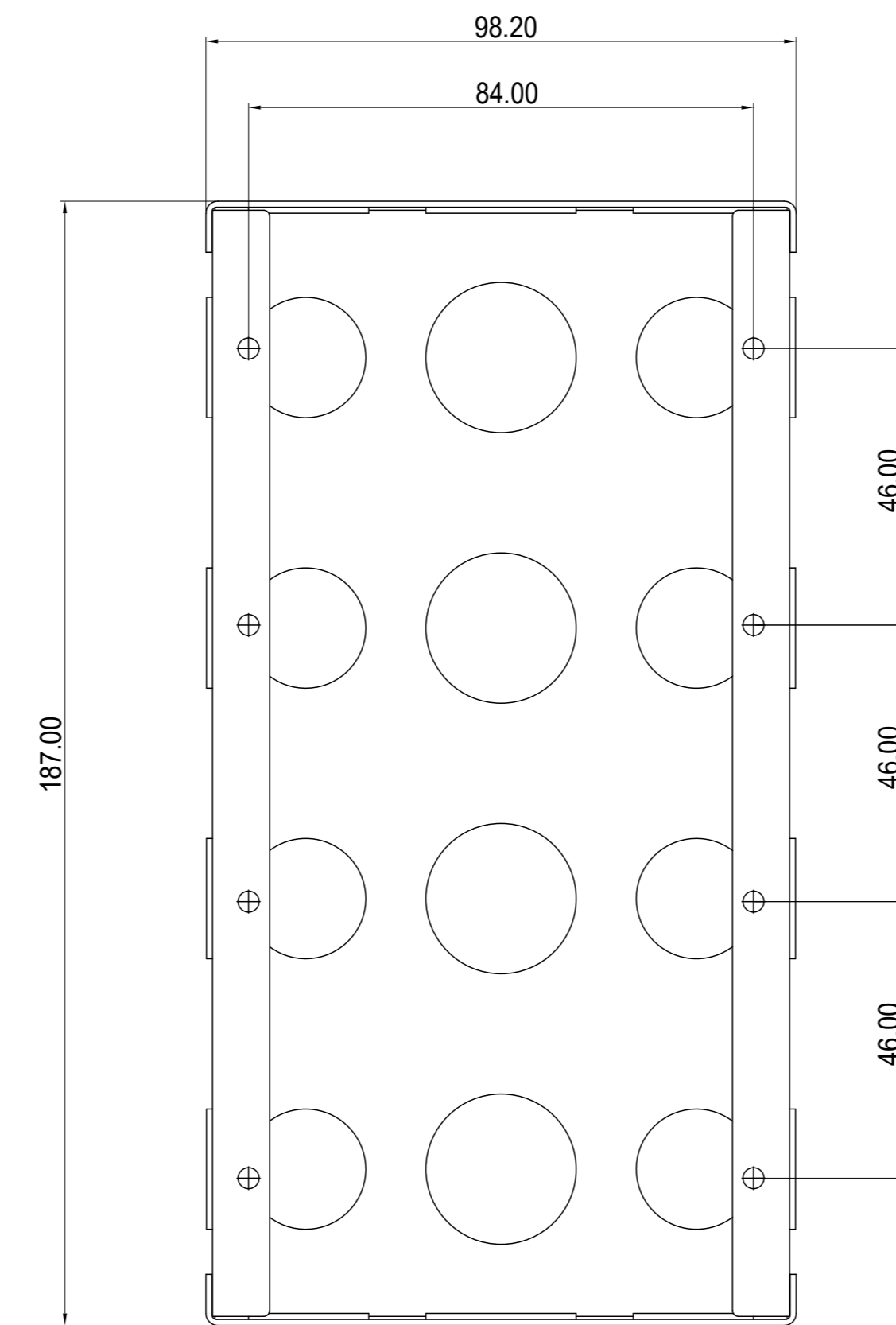
4 BACK VIEW



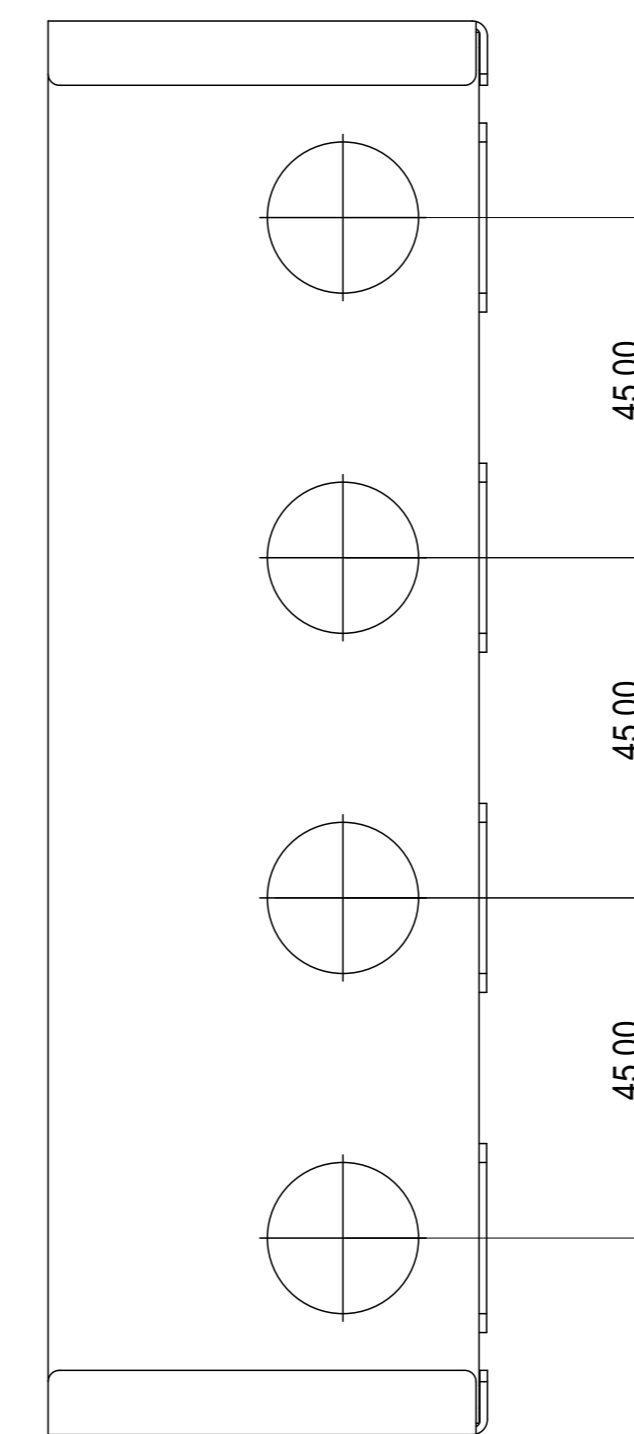
5 TOP VIEW



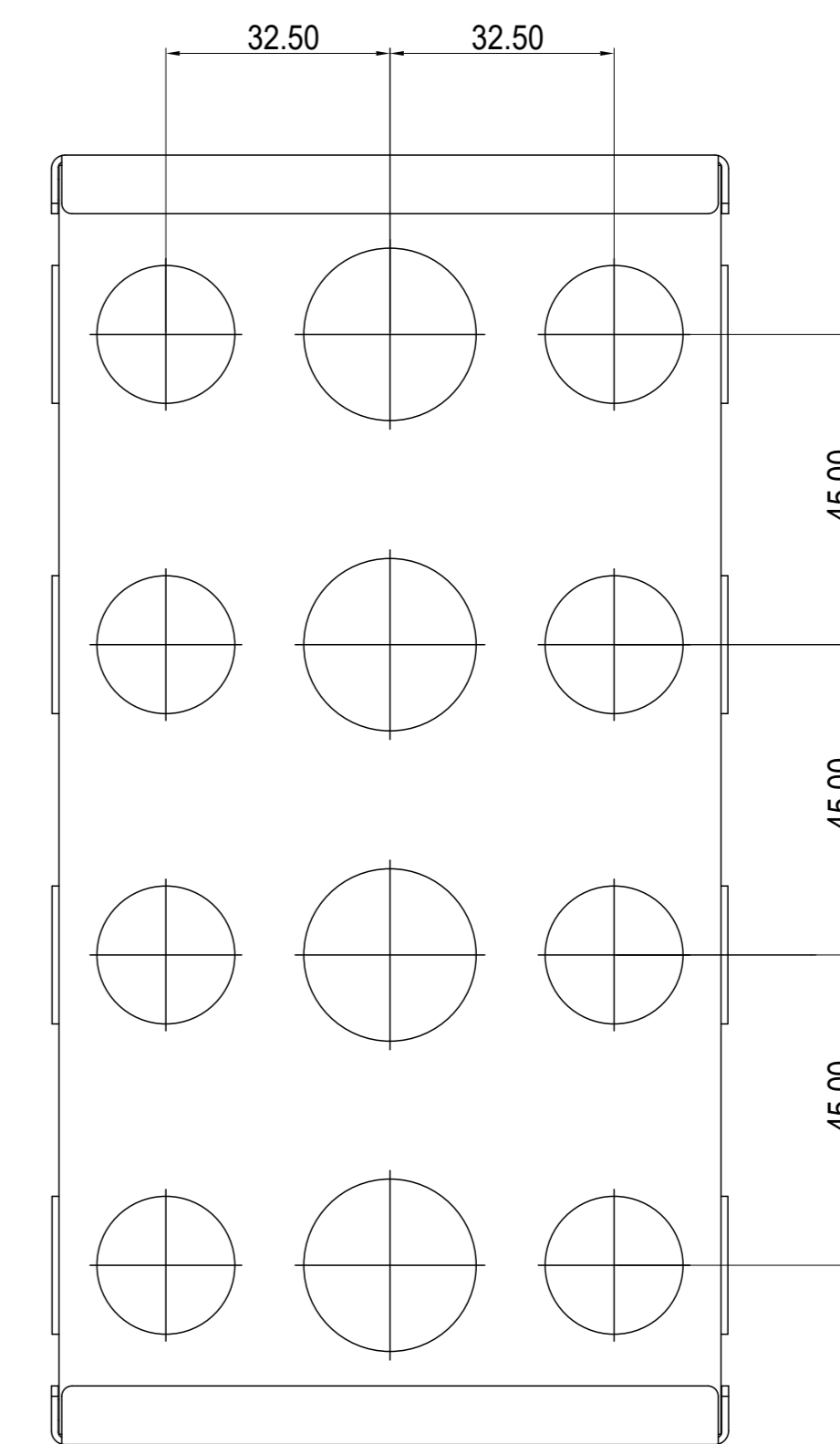
2 RIGHT VIEW



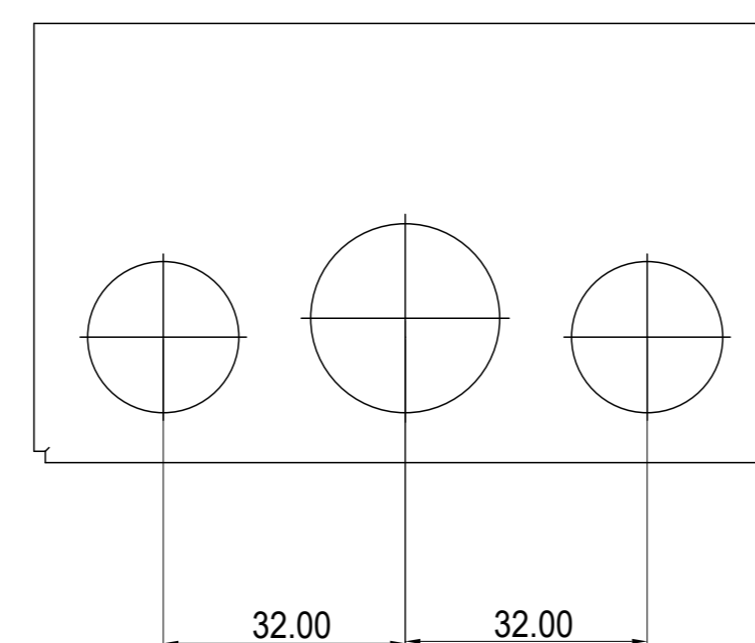
1 FRONT VIEW



3 LEFT VIEW



4 BACK VIEW



6 BOTTOM VIEW

Applicable Model
E21

Drawing Title
Flush Mounting Box

Drawing Unit
mm

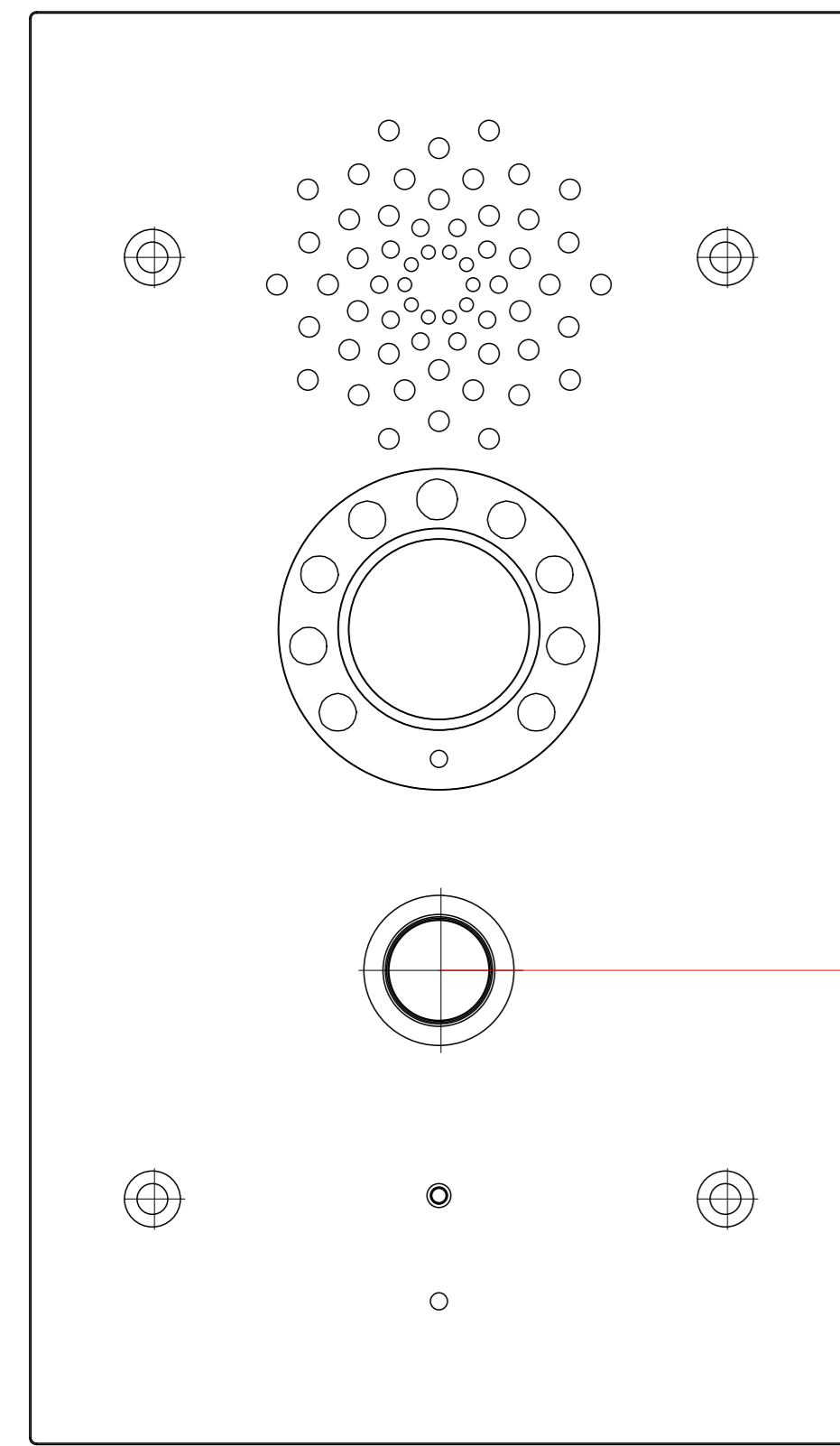
Drawing Scale
Not to scale

DRAFT
SUBJECT TO
CHANGE

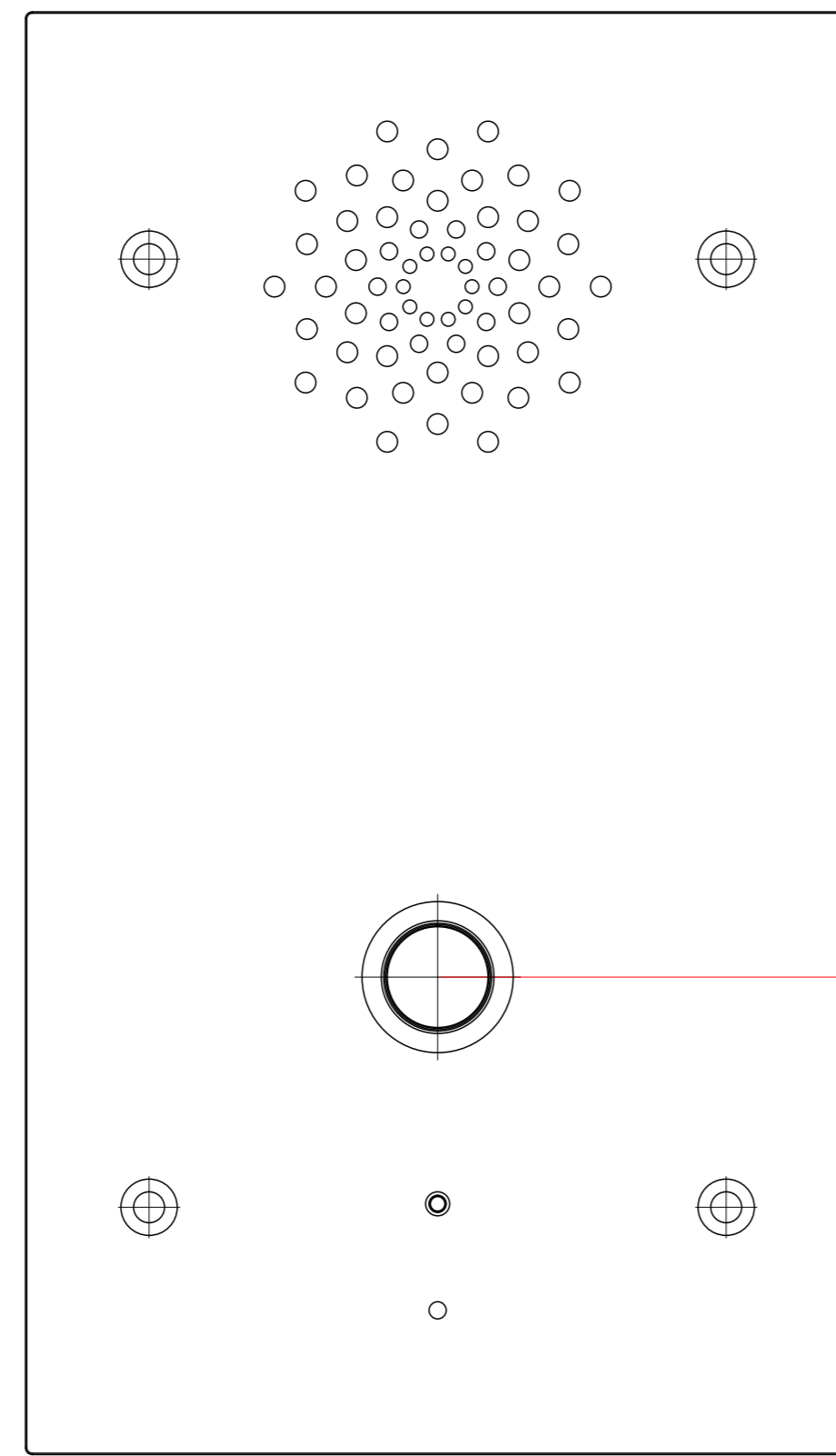
Last Revised
December 31,2019

Drawing Version
V1.0

Page
3 of 4



1 E21V INTERCOM PANEL FRONT VIEW



2 E21A INTERCOM PANEL FRONT VIEW

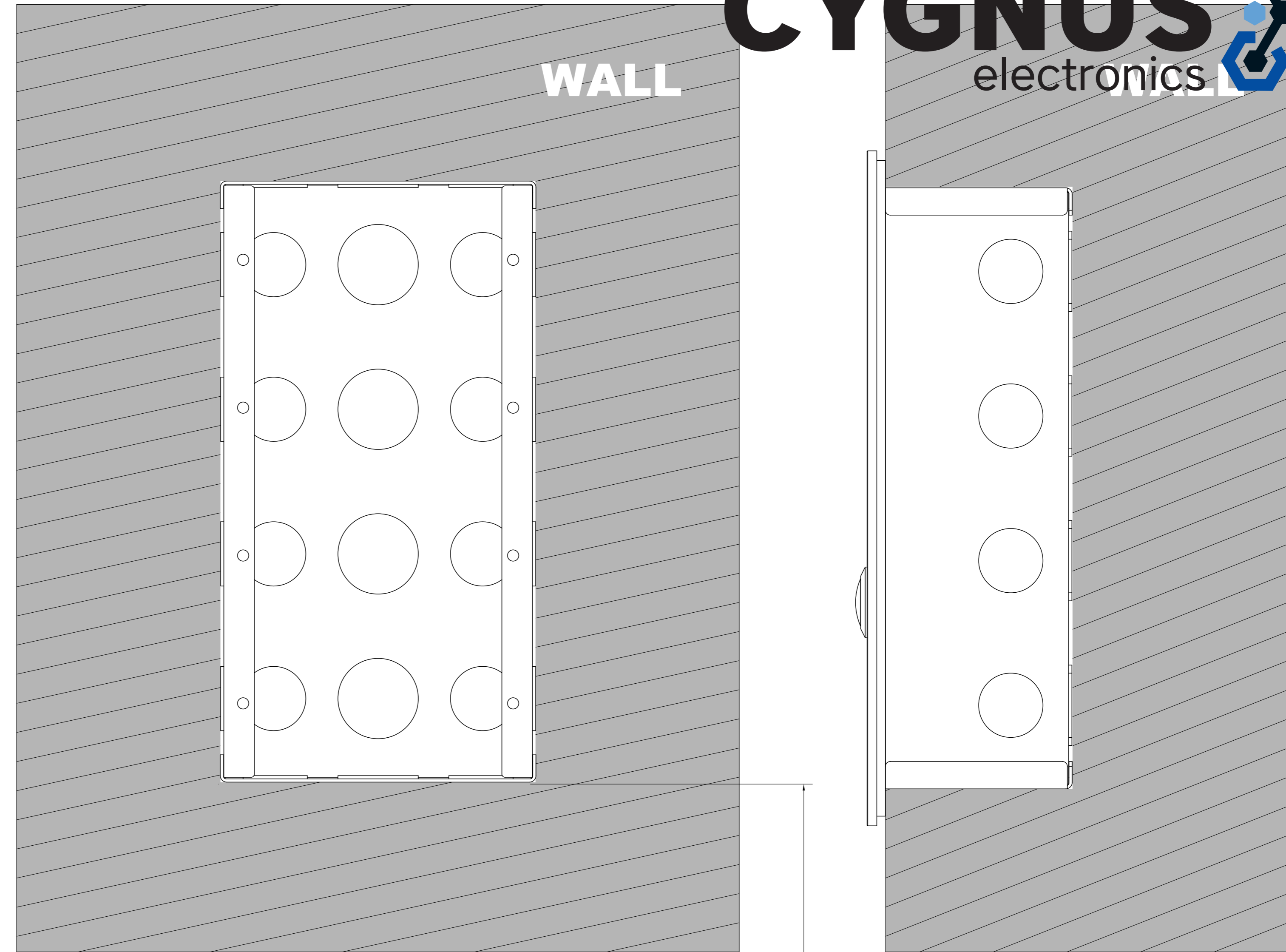
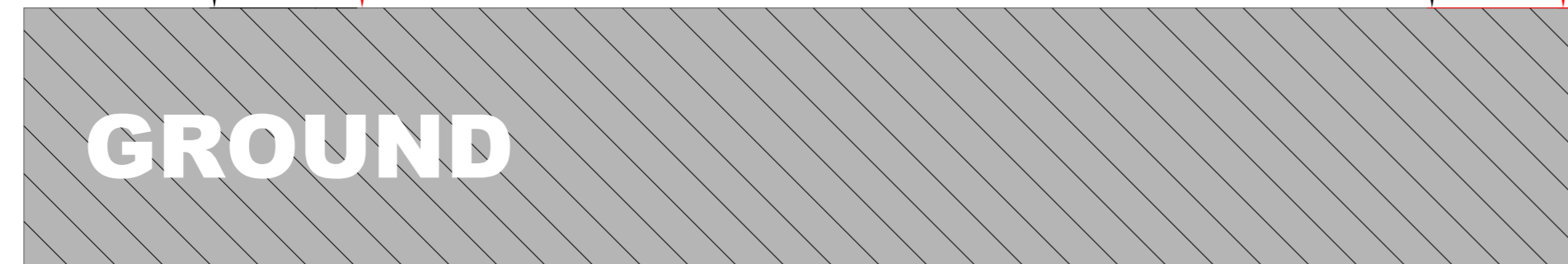
1130mm TO BOTTOM OF PANEL

1200mm MAX TO CENTER OF USABLE BUTTON

ADA Compliance Requirement

1130mm TO BOTTOM OF PANEL

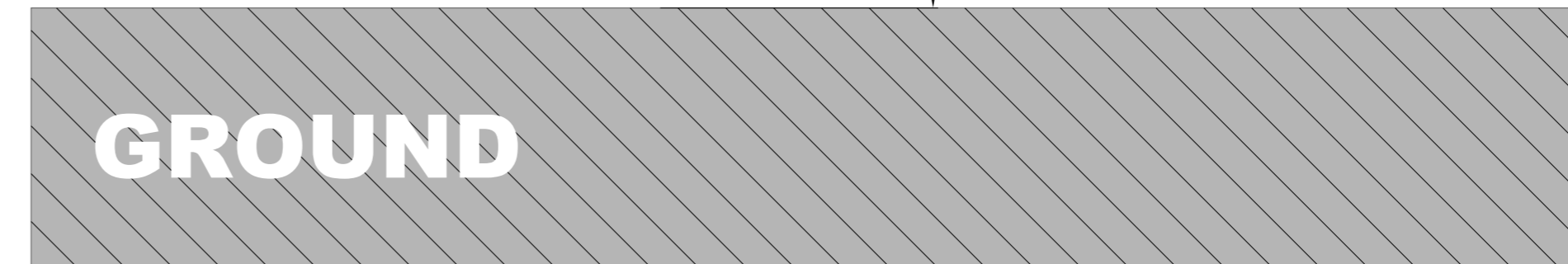
1200mm MAX TO CENTER OF USABLE BUTTON



3 FRONT VIEW: FLUSH MOUNTING BRACKET PLACEMENT

1140mm TO BOTTOM OF BRACKET

4 SIDE VIEW: INTERCOM IN WALL



Applicable Model

E21

Drawing Title

Placement

Drawing Unit

mm

Drawing Scale

Not to scale

**DRAFT
SUBJECT TO
CHANGE**

Last Revised

December 31, 2019

Drawing Version

V1.0

Page

4 of 4